



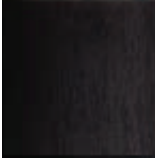
VON DUPRIN®

AUXILIARY HARDWARE & GENERAL INFORMATION



IR Security & Safety
Proven Source. Proven Solutions.™

Finishes*

Color	US Number	BHMA Number
	US26	625
	US28	628
	US26D	626
	US3	605
	US4	606
	US10	612
	313AN	710
	315AN	—

* **NOTE:** Durable powder coated finishes available at specific special request. PLEASE CONTACT FACTORY.

Index

Introduction and UL Listings	2
• ANSI Functions for Exit Hardware	3
• Abbreviations	4
• Cover Plates	8-9
• Cylinders	10
• Finishes	Inside Cover
• Glass Bead Kits	10
• Handing Chart	3
• Keys	9
• Mullions	12-13
• Nomenclature	5
• Sex Bolt	6-7
• Two Point Latch	11
• Vertical Rod/Latch Guard	10

Symbols



Indicates Fire Rated Application

About Von Duprin

The disastrous Iroquois Theater fire in Chicago happened in 1903. Carl Prinzler, Manager of the Vonnegut Hardware Company Builders Hardware Department, was scheduled to be at the matinee, featuring Eddie Foy, but other matters prevailed and he was spared. Five hundred ninety people died, mainly because the theater doors opened inward.

Prinzler spent the next five years working with Henry Dupont, an architectural engineer, developing hardware to preclude a similar horror. Together they fashioned a lever that kept doors locked on the outside, yet unlocked from the inside. The pivotal element was the crossbar which opened the door outward once any part of the body touched it.

That was 1908. And the initial products were rather crude and ugly. Since that time, Von Duprin has been instrumental in transforming fire and panic exit hardware into sleek, attractive products available in a wide range of styles, functions and finishes.

Thorough and continuous research by Von Duprin has resulted in a parade of improvements and enhancements that has earned it the reputation of being the “R & D Department for the entire industry.”

- Von Duprin was first to use drop forgings.
- Von Duprin was first with a special threshold, the Latch-Track.
- Von Duprin developed the first reversible exit device, the 88 rim type device.
- Von Duprin introduced the first extruded aluminum mullion.
- Von Duprin was first to market a concealed vertical rod device for metal doors.
- Von Duprin was first to market a concealed vertical rod device for wood doors.
- Von Duprin was the first to have a line of narrow stile devices, the type NC.
- Von Duprin produced the first stainless steel line of devices, the type 66 series.
- Von Duprin was the first with a line of pushpad devices, the type 33 series.
- Von Duprin was the first with electric locking and unlocking, the type E device.
- Von Duprin was the first with self contained delayed exit, CHEXIT®

In addition, during the 1920's Von Duprin developed the type Q device, which was approved by Underwriter's Laboratories, Inc., for three hour fire rated doors. Subsequently, Von Duprin has successfully tested the industry's most complete line of Fire Exit Hardware.

Along with these impressive developments, we are proud of our record of manufacturing quality products that give years and years of solid dependable service with minimum maintenance. While it is satisfying to reflect on these accomplishments, it is even more significant that Von Duprin has the purpose and the spirit to continue to lead an important industry in providing “THE SAFE WAY OUT!”

How the name “VON DUPRIN” originated: VON (Vonnegut Hardware Company), DU (DuPont), the architectural engineer, who helped PRIN (Prinzler) develop the first Von Duprin exit device.

UL Listings

Most Von Duprin exit devices are UL Listed for Panic Hardware or Fire Exit Hardware, and are tested in accordance to ANSI A156.3, 1994, Grade 1.

UL Listed Panic Hardware

To be UL listed a device must pass rigorous tests to prove it is mechanically sound and reliable. One test puts the device through 100,000 controlled open and close cycles. In another, the activating mechanism is required to operate with 50 pounds of pressure or less when 250 pounds of pressure is applied to the door in the direction of the swing.

Fire Exit Hardware

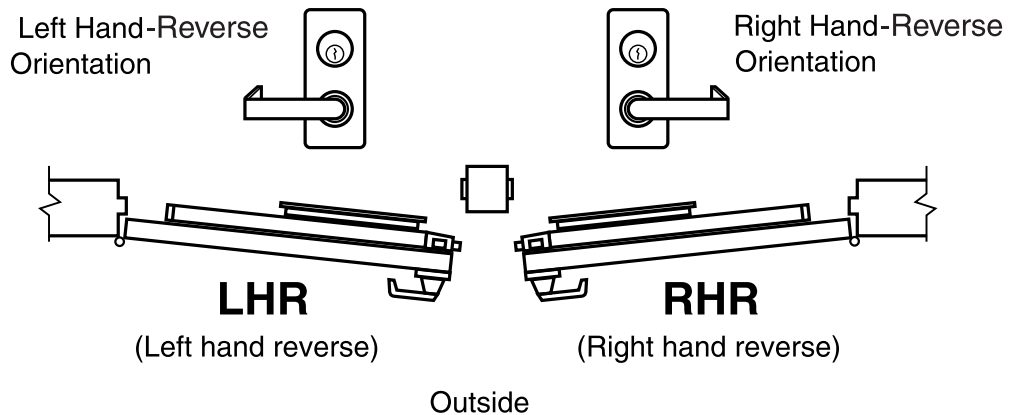
To carry the UL Label for Fire Exit Hardware, a device first must meet the Accident Hazard requirements. Secondly, the device must pass the burn test to prove that it can hold fire doors closed for up to a three hour period in temperatures over 1900°F. Immediately after burning, a fire hose with approximately 45 lbs. PSI pressure at the nozzle puts stress on the opening as a final test of the hardware's ability to hold the doors closed.

ANSI Functions for Exit Hardware

A variety of ANSI functions are offered with each series. Each device section of the catalog contains a chart showing the ANSI types and functions available in the series.

- | | |
|---|--|
| <p>01 — Exit Only, no trim</p> <p>02 — Entrance by trim when actuating bar is locked down.</p> <p>03 — Entrance by trim when latch bolt is retracted by key. Key removable only when locked.</p> <p>04 — Entrance by trim when latch bolt is retracted by key or set in a retracted position by key.</p> <p>05 — Entrance by thumbpiece. Key locks or unlocks thumbpiece.</p> <p>06 — Entrance by thumbpiece only when released by key. Key removable only when locked.</p> | <p>07 — Entrance by thumbpiece. Inside key locks or unlocks thumbpiece. Outside key retracts latch.</p> <p>08 — Entrance by knob or lever. Key locks or unlocks knob.</p> <p>09 — Entrance by knob or lever only when released by key. Key removable only when locked.</p> <p>10 — Entrance by knob or lever. Inside key locks or unlocks knob. Outside key retracts latch.</p> <p>11 — Entrance by control turn piece. Key locks or unlocks control.</p> <p>12 — Entrance by control turn piece only released by turning key. Key removable only when locked.</p> |
|---|--|

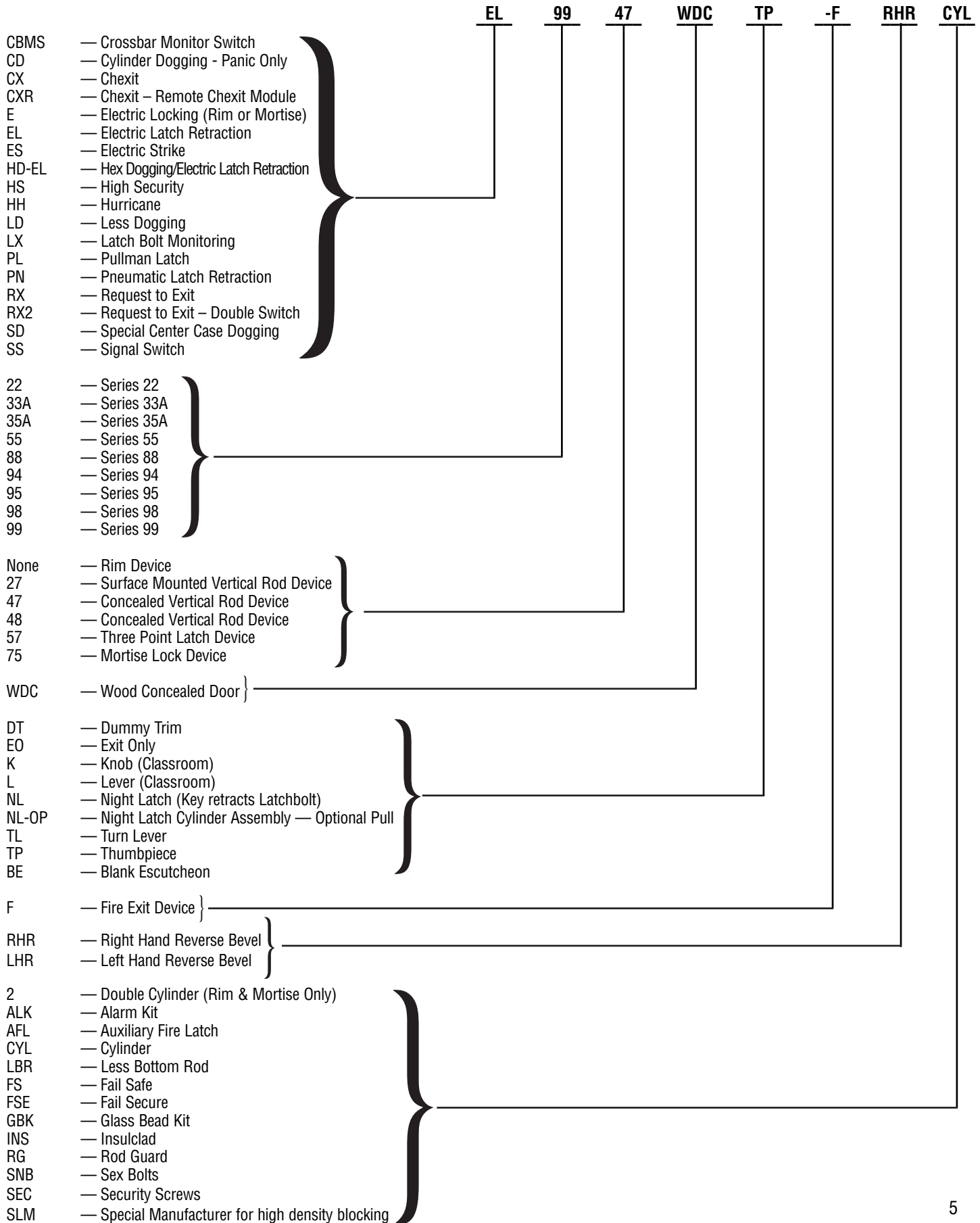
Door Handing



Abbreviations

-2	— Double Cylinder	INS	— Insulclad
-2	— Two Zone Controller	K	— Knob
AC	— Access Control Function	KAL	— Kalamein
AFL	— Auxiliary Fire Latch	KN	— Knurled
AL	— Alarm Function	KR	— Keyed Removable
AL	— Aluminum	L	— Lever
ALK	— Alarm kit	LBR	— Less Bottom Rod
AN	— Anodized	LC	— Low Current
AO	— Auto Operator Function	LD	— Less Dogging
ATMS	— All template machine screws	LG	— Latch Guard
BB	— Battery Back-up	LHR	— Left Hand Reverse Bevel
BE	— Blank Escutcheon	LR	— Latch Retractor
BRS	— Brass	LX	— Latchbolt Monitor Switch
BRZ	— Bronze	M	— Mortise
CBMS	— Crossbar Monitor Switch	MS	— Machine Screws
CD	— Cylinder Dog	NL	— Night Latch
CK	— Conversion Kit	NL-OP	— Night Latch (Optional Pull)
CV	— Concealed Vertical Rod	OPH	— Oval Phillips Head
CX	— Chexit	PL	— Pullman Latch
CYL	— Cylinder	PN	— Pneumatic Latch Retraction
DE	— Delayed Egress	R	— Rim
DR	— Door	RCM	— Remote Chexit Module
DS	— Dual Signal Switch	RG	— Rod Guard
DT	— Dummy Trim	RHR	— Right Hand Reverse Bevel
E	— Electric Locking/Unlocking	RX	— Request to Exit Switch
EB	— Entry Buzzer	RX-2	— Request to Exit - Double Switch
EL	— Electric Latch Retraction	SD	— Special Center Case Dogging
EO	— Exit Only	SEC	— Security Screws
EPT	— Electric Power Transfer	SHM	— Stock Hollow Metal
ES	— Electric Strike	SI	— Security/Safety Interlock Function
F	— Fire Exit Hardware	SNB	— Sex Nuts and Bolts
FA	— Fire Alarm	SS	— Stainless Steel
FEH	— Fire Exit Hardware	SS	— Signal Switch
FPH	— Flat Phillips Head	SSKD	— Stock Size, Knocked Down
FR	— Frame	STMS	— Strike Template Machine Screws
FS	— Fail Safe	SV	— Surface Vertical Rod
FSE	— Fail Secure	TD	— Time Delay
GBK	— Glass Bead Kit	TL	— Turn Lever Control
HD	— Hex Dogging	TP	— Thumbpiece Action
HH	— Hurricane	WD	— Wood
HM	— Hollow Metal	WDC	— Wood Door Concealed
HS	— High Security	WS	— Wood Screws

Nomenclature – How To Order



Sex Bolts

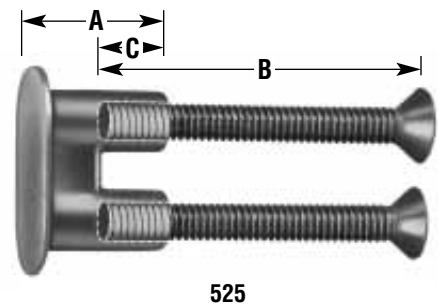
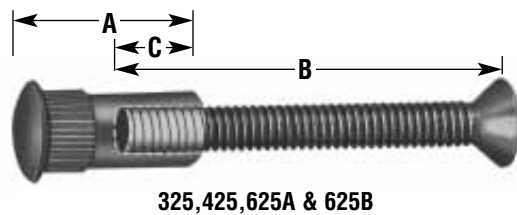
Sex Bolts when ordered with devices may be furnished with screw lengths different than shown in Column B. On page 7, Column B indicates popular sizes. Sex Bolts ordered separately are not furnished with screws. If screws are required refer to chart on page 7 and order screws by description as a separate item. Other screw lengths may be used based on minimum and maximum allowable thread engagement, shown in column "C." Quantity required — refer to device section, quantities differ depending on outside trim.

425 sex bolts are required for 22/88/98/99 series fire rated devices when used on wood door applications. When wood doors are specified for these devices, sex bolts will be added to the device application unless SLM blocking package is specified.

825 sex bolts are required with 98-F/99-F rim devices on wood door applications using EO, NL, TP, K and L outside trims. Two 825 sex bolts will be added to the device application unless SLM blocking package is specified.

To Order, Specify:

1. Model number
2. Quantity (2 per package)
3. Finish
4. Door thickness other than 1 $\frac{3}{4}$ " (44mm).



Refer to page 7 for A, B and C lengths

Rim, Mortise and Concealed Vertical Rod

Device Type	Door Thickness	Center Case				Hinge Case			
		Sex Bolt		B Screw	C Thread Engagement Min. – Max.	Sex Bolt		B Screw	C Thread Engagement Min. – Max.
		No.	A			No.	A		
22	1¾" (44mm)	425	1⅞"	10-24 x 1" PPHMS	⅝" – ⅝"	425	1⅞"	10-24 x ¾" PPHMS	⅝" – ⅝"
	2¼" (57mm)	425	1⅞"	10-24 x 1½" PPHMS	⅝" – ⅝"	425	1⅞"	10-24 x 1¼" PPHMS	⅝" – ⅝"
33A, 3347A, 3347A-F	1¾" (44mm)	325	1⅞"	¼-20 x 1" FPHMS	⅜" – 1¼"	425	1⅞"	10-24 x ¾" PPHMS	⅝" – ⅝"
35A, 3547A, 3547A-F	2¼" (57mm)	325	1⅞"	¼-20 x 1½" FPHMS	⅜" – 1¼"	425	1⅞"	10-24 x 1¼" PPHMS	⅝" – ⅝"
55	1¾" (44mm)	625A	2⅝"	12-24 x ¾" OPHMS	1½" – 1¾"	625A	2⅝"	12-24 x ¾" OPHMS	1½" – 1¾"
	2¼" (57mm)	625B	2⅝"	12-24 x ¾" OPHMS	1½" – 1"	625B	2⅝"	12-24 x 1¼" OPHMS	1½" – 1"
5575, 5575-F	1¾" (44mm)	—	—	—	—	625A	2⅝"	12-24 x ¾" OPHMS	1½" – 1¾"
5547, 5547-F	2¼" (57mm)	—	—	—	—	625B	2⅝"	12-24 x 1¼" OPHMS	1½" – 1"
88, 88-F, 8875, 8875-F	1¾" (44mm)	425	1⅞"	10-24 x 1½" OPHMS	⅝" – ⅝"	425	1⅞"	10-24 x 1½" OPHMS	⅝" – ⅝"
	2¼" (57mm)	425	1⅞"	10-24 x 2" OPHMS	⅝" – ⅝"	425	1⅞"	10-24 x 2" OPHMS	⅝" – ⅝"
8847-F	1¾" (44mm)	—	—	—	—	425	1⅞"	10-24 x 1½" OPHMS	⅝" – ⅝"
	2¼" (57mm)	—	—	—	—	425	1⅞"	10-24 x 2" OPHMS	⅝" – ⅝"
98, 9875, 9875-F, 9847, 9847-F, 99, 9975, 9975-F, 9947, 9947-F	1¾" (44mm)	425	1⅞"	10-24 x 1" PPHMS	⅝" – ⅝"	425	1⅞"	10-24 x 1" PPHMS	⅝" – ⅝"
	2¼" (57mm)	425	1⅞"	10-24 x 1½" PPHMS	⅝" – ⅝"	425	1⅞"	10-24 x 1½" PPHMS	⅝" – ⅝"
98-F, 99-F*	1¾" (44mm)	425	1⅞"	10-24 x 1" PPHMS	⅝" – ⅝"	425	1⅞"	10-24 x ¾" PPHMS	⅝" – ⅝"
		825A*	1⅝"	10-24 x ¾" PPHMS	⅝" – ⅝"				
	2¼" (57mm)	425	1⅞"	10-24 x 1½" PPHMS	⅝" – ⅝"	425	1⅞"	10-24 x 1¼" PPHMS	⅝" – ⅝"
		825B*	2⅝"	10-24 x ¾" PPHMS	⅝" – ⅝"				

* For use with outside trims, see page 6 for details

Surface Vertical Rod

Device Type	Door Thickness	Center Case				Hinge Case			Top & Bottom Latch Case				
		Sex Bolt		B Screw	C Thread Engagement Min. – Max.	Sex Bolt		B Screw	C Thread Engagement Min. – Max.	Sex Bolt		B Screw	C Thread Engagement Min. – Max.
		No.	A			No.	A			No.	A		
2227, 2227-F	1¾" (44mm)	425	1⅞"	10-24 x 1" PPHMS	⅝" – ⅝"	425	1⅞"	10-24 x ¾" PPHMS	⅝" – ⅝"	325	1⅞"	¼ -20 x ¾" UFPHMS	⅝" – 1¼"
	2¼" (57mm)	425	1⅞"	10-24 x 1½" PPHMS	⅝" – ⅝"	425	1⅞"	10-24 x 1¼" PPHMS	⅝" – ⅝"	325	1⅞"	¼ -20 x 1¼" UFPHMS	⅝" – 1¼"
3327A, 3527A	1¾" (44mm)	325	1⅞"	¼-20 x 1" FPHMS	⅜" – 1¼"	425	1⅞"	10-24 x ¾" PPHMS	⅝" – ⅝"	325	1⅞"	¼ -20 x ¾" UFPHMS	⅝" – 1¼"
	2¼" (57mm)	325	1⅞"	¼-20 x 1½" FPHMS	⅜" – 1¼"	425	1⅞"	10-24 x 1¼" PPHMS	⅝" – ⅝"	325	1⅞"	¼ -20 x 1¼" UFPHMS	⅝" – 1¼"
8827, 8827-F	1¾" (44mm)	425	1⅞"	10-24 x 1½" OPHMS	⅝" – ⅝"	425	1⅞"	10-24 x 1½" OPHMS	⅝" – ⅝"	425	1⅞"	10-24 x ¾" PPHMS	⅝" – ⅝"
	2¼" (57mm)	425	1⅞"	10-24 x 2" OPHMS	⅝" – ⅝"	425	1⅞"	10-24 x 2" OPHMS	⅝" – ⅝"	425	1⅞"	10-24 x 1¼" PPHMS	⅝" – ⅝"
9827, 9827-F, 9857, 9857-F	1¾" (44mm)	425	1⅞"	10-24 x 1" PPHMS	⅝" – ⅝"	425	1⅞"	10-24 x ¾" PPHMS	⅝" – ⅝"	325	1⅞"	¼ -20 x ¾" UFPHMS	⅝" – 1¼"
9927, 9927-F, 9957, 9957-F	2¼" (57mm)	425	1⅞"	10-24 x 1½" PPHMS	⅝" – ⅝"	425	1⅞"	10-24 x 1¼" PPHMS	⅝" – ⅝"	325	1⅞"	¼ -20 x 1¼" UFPHMS	⅝" – 1¼"

(FPHMS — Flat Phillips Head Machine Screw; OPHMS — Oval Phillips Head Machine Screw; PPHMS — Pan Phillips Head Machine Screw
UFPHMS — Undercut Flat Phillips Head Machine Screw)

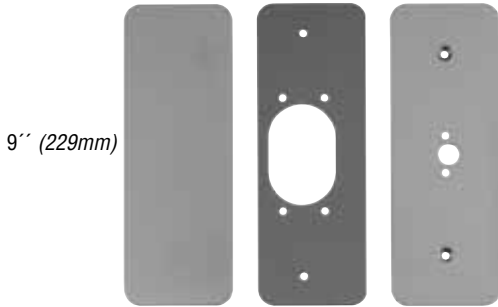
Cover Plates

229 Kit

(For 22 Rim Device)

Kit contains inside and outside plates for hinge stile cutouts, an inside plate for the lock stile, and necessary screws. Plates are designed to cover cutouts required by most existing exit device installations. Specify finish.

1 3/4" (44mm)

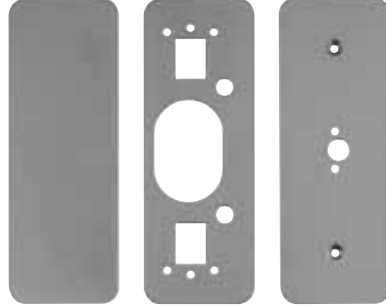


997 Kit

(For 98/99 Rim Device)

Kit contains inside and outside plates for hinge stile cutouts, an inside plate for lock stile, and necessary screws. Plates are designed to cover cutouts required by most existing exit device installations. Specify finish.

1 3/4" (44mm)

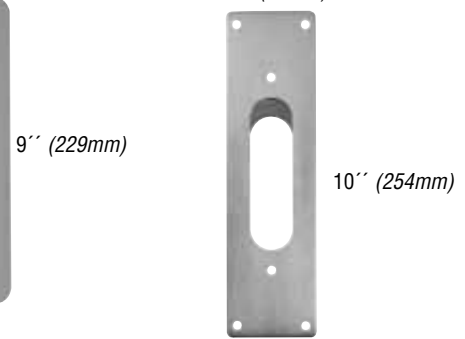


589 Kit

(For 5575 Device)

Kit contains plates for the lock stile and hinge side of the device, and necessary screws. Plates are designed to mount to device on wood door applications. The mortise lock cut-out interferes with device mounting. Specify finish and door width other than 1 3/4" (44mm).

1 5/8" (41mm)

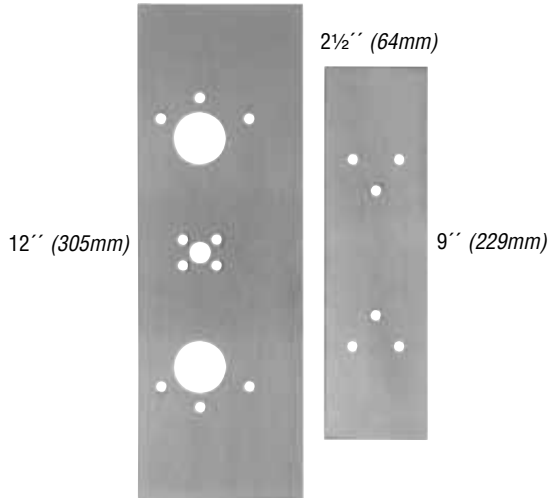


882 Kit

(For 88 Rim Device)

For use to cover mortise lock or discontinued device cut-outs. Specify finish.

4" (102mm)



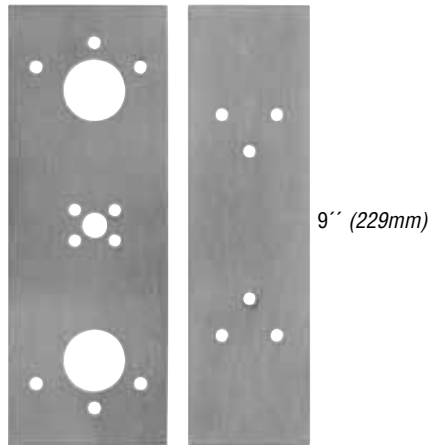
887 Kit

(For 88 Rim/8827 Devices)

For use with rim/vertical device combinations on pairs of doors with ANSI cut-out. The 88 rim device backset is increased and exposes the 161 cutout when used with an 8827. Specify finish

3 1/4" (83mm)

2 1/2" (64mm)



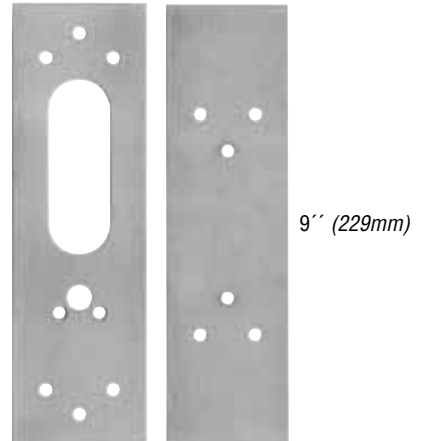
888 Kit

(For 8875 or 8827 Devices)

For use on doors with ANSI 161 cutouts. Device center case will not cover stock cutout. Specify finish.

2 3/4" (70mm)

2 1/2" (64mm)



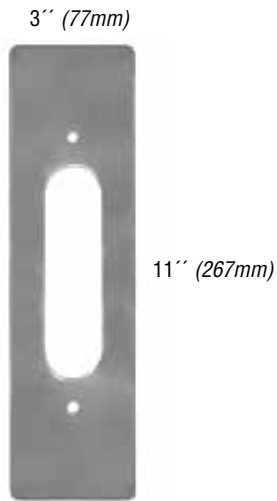
Cover Plates

889 Kit

(For 373L Control)

Required when 373L controls are used with sex bolts. Four studs on cover plate allow through bolting to the device center case.

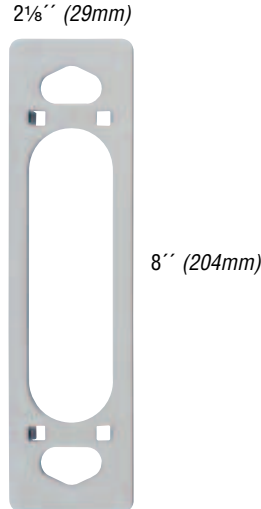
Note: Sex bolts must be used on wood or composite fire doors. Specify device type R, M, or V and finish.



#10 WDA Kit

(For 370 Series Controls)

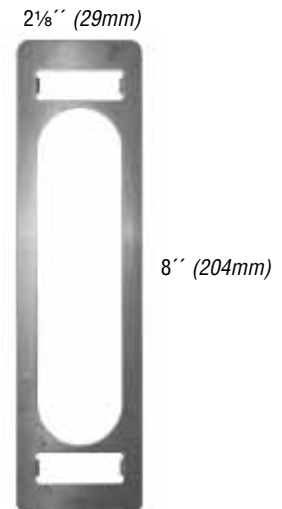
For wood door applications, used to cover up door preparations for control, also prevents the control from boring into the wood door. Finished to match control.



33A WDA Kit

(For 360 Series Controls)

For wood door applications to cover up door preparations for control, also prevents the control from boring into the wood door. Finished to match control.

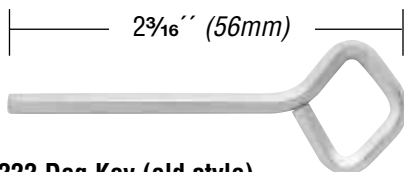


998 Kit

(For 994L Trim)

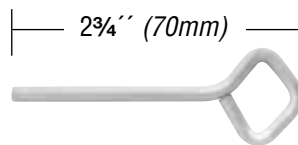
For use with 994 lever trim to cover existing 992 lever trim cut-out. Specify finish

Dog Keys



222 Dog Key (old style)

$\frac{7}{32}$ " (6mm) hex



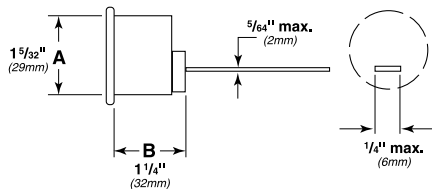
227 Dog Key (standard)

$\frac{5}{32}$ " (4mm) hex

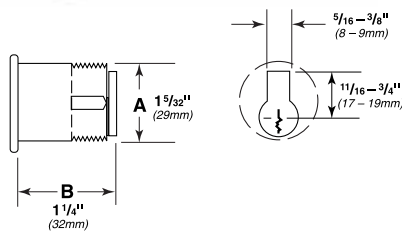
Cylinders

Cylinders are not furnished with device or trim (unless noted) and must be specified when ordering. Only available with Schlage "C" Keyway. Specify finish when ordering separately. Custom keying is not available.

3216 Rim



3215 Mortise (Schlage B502-191 cam)



3218 Dummy



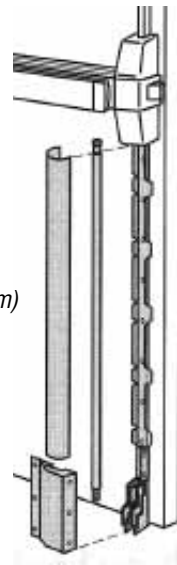
Glass Bead Kit – GBK

Glass bead conversion kits are used on doors with glass beads. Each kit consists of 1/4" (6mm) shim sets. GBK for Surface Vertical Rod ships with 1/8" (3mm) shims for rod guides. Shims are not required for top and bottom latches

To Order, Specify:

1. Device Model. Example: 99GBK
2. Device type (Rim, Mortise, Surface Vertical Rod, Concealed Vertical Rod)
3. Wood Door, when used with Concealed Vertical Rod
4. Specify if using with 499F Strike
5. Finish

Vertical Rod and Latch Guard — RG-27



36"
(914mm)

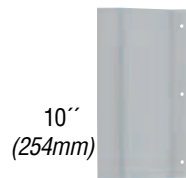
Series RG-27 Vertical Rod and Latch Guards protect the bottom rods of exit devices from the damaging impacts of carts or gurneys passing through doors. If bottom rods become damaged, the exit device will not function as intended and can jeopardize the ability to exit safely during an emergency.

In addition to protecting the vertical rod, the guard provides a smooth, unobstructed surface so the door can be pushed open easily with the bumpers of a wheelchair. The standard latch guard features a 45° ramp and a continuous ramp on full width or extended latch guard.

All stainless steel construction in US32D finish. Latch guards can cover latches as large as 1 1/4"W x 10"H x 1 7/8" (32mm x 254mm x 48mm) projection. For use on Hollow Metal Fire-Rated Doors.

33 1/8" (841mm) – 3' (914mm) door
45 1/8" (1146mm) – 4' (1219mm) door

Rod Guard



10"
(254mm)

4 3/8"
(111mm)
Latch Guard

12" (305mm)

2 1/4" (57mm)

Extended Latch Guard

Models

- RG0** — Rod guard only (Projection 1 3/16" (30mm)).
- RG-27** — Rod and latch guard.
- RG-27-3** — 3' (914mm) Rod Guard and Extended Latch Guard.
- RG-27-4** — 4' (1219mm) Rod Guard and Extended Latch Guard.
- LGO** — Latch guard only.
- LGO-3** — 3' (914mm) Extended latch guard only.
- LGO-4** — 4' (1219mm) Extended latch guard only.

Note: Not for use on wood fire doors

To Order, Specify:

1. Model number.
2. Handing (except on RG0).
3. Door material if other than Hollow Metal.
4. Optional sex bolt mounting available.

Series 237L Two Point Latch



Series 237L Two Point Latch Assembly is ideal for use on standard hollow metal or fire doors, up to 4'0" x 8'0" (1219mm x 2438mm). UL listed for three hour "A" label applications. This product can not be used on doors requiring panic or fire exit hardware. It can be used on the inactive leaf of a pair with a lockset or both leaves of a pair.

The series 237 features a top soffit latch and ratchet release for long service life and dependability.

Furnished standard with one lever control assembly with mounting plate for the push side. This lever operation is always unlocked (L-BE). A second control lever can be ordered separately for the pull side, either model 378L-BE (always unlocked) or model 378L (with cylinder locking). Cylinders not included.

Lever operation meets all ADA requirements.

To Order, Specify:

1. Model number 237L-BE.
2. Optional second control, 378L or 378L-BE.
3. Handing (see charts below).
4. Finish.

Optional lever styles are available.



#03



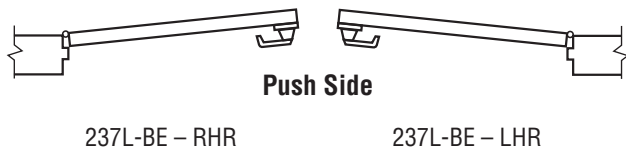
#06
(standard)



#17

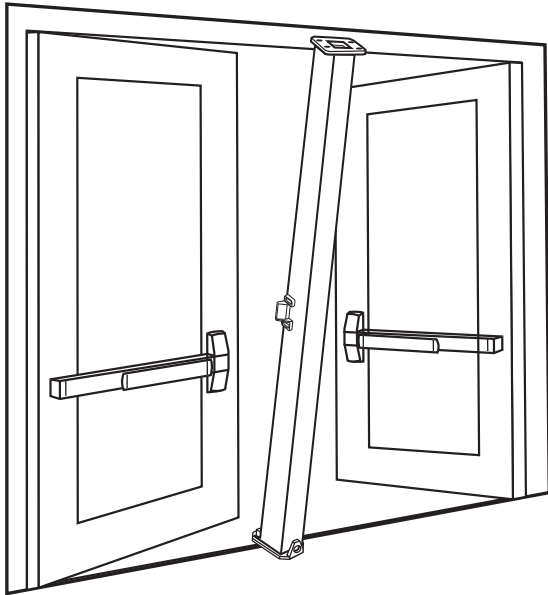
HANDING – How To Order

Outswing Door Application



NOTE: For Inswing Door Applications that require locking on the Push Side, consult factory. Outswing door will be assumed if not specified.

Removable Mullions



Mullions

Removable Steel Mullions Mullions provide single door performance in double door openings with rim devices. Mullions are easily removed by loosening bottom set screw and removing top fitting cover. The top mullion fitting is attached to the frame and is concealed by the fitting cover.

Steel mullions are 2" (51mm) wide and 3" (76mm) deep, with a wall thickness of 1/8" (3mm).

Mullions are shipped with mounting screws and prepared for strikes. Strikes are not included except where indicated.

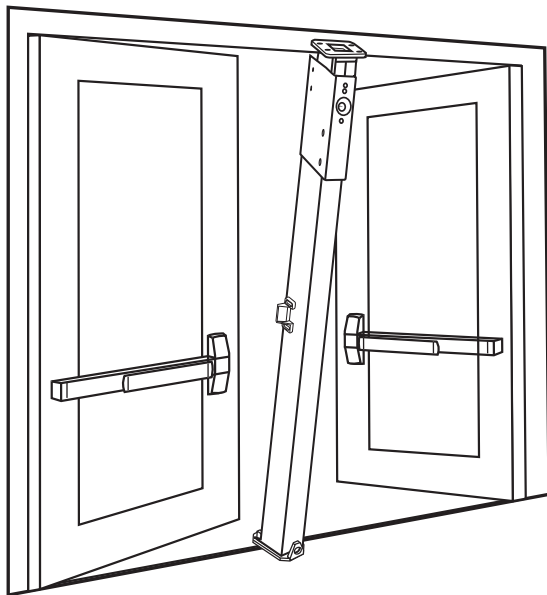
Steel mullions are available in SP28 and SP313 finishes. Consult factory for other powder coat finish options.

KR – Keyed Removable Steel Mullions makes removal faster and easier by a single operation of the mortise cylinder. Once mullion is removed, large equipment or furniture can freely pass through the opening. The unit will self lock when re-installed, without use of the cylinder key. Uses a 1 1/4" mortise cylinder with a straight cam (Schlage cam reference B502-191). Cylinders are sold separately. Prefix mullion model with "KR".

Removeable Aluminum Mullions are 1 1/8" (27mm) wide on face closest to the door and 2 3/8" (60mm) at the widest point. The depth is 3 1/8" (79mm) with a wall thickness of 1/8" (3mm).

Aluminum mullions are available in US4, US10, US28, 313AN and 315AN finishes. Consult factory for other powder coat finish options.

Keyed Removable Steel Mullions



Stock Hollow Metal Applications for devices mounted to cover ANSI 161 cutouts are higher than the standard mullion strike location. Consult the factory for special strike preparation or order a blank mullion. See below.

Blank Mullions are furnished without strike preparation. They are used to mount devices at a strike height different from the standard mullion preparation.

To Order, specify

1. For keyed Removable option on steel mullions, prefix model number with "KR"
2. Model number.
3. Height of opening
4. Finish
5. Handing if required.
6. Centerline deviation (refer to device template for standard centerline).
7. Strikes, when required, should be ordered with device.
8. For keyed Removable option on steel mullions, prefix model number with "KR"

Steel Mullions

1654 Prepared for two 1606 strikes. **If 1606 strikes are not specified on the order, two per mullion will be added. Additional charges apply.**

4954 Prepared for 264 or 299 strikes. For use with all Von Duprin Panic rim devices. **Note: specify strike choice with device.**

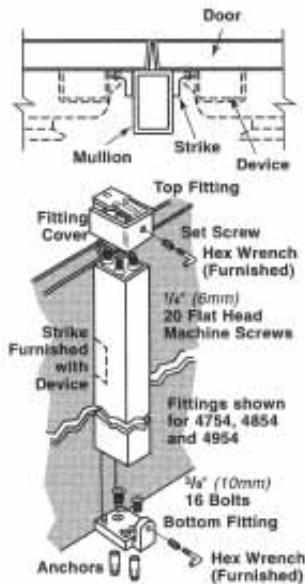


9954 Prepared for and must be used with two 268 strikes (88-F device), or two 499F (22-F, 98-F, 99F devices). UL fire labeled mullion for up to 3 hour opening using Von Duprin fire exit rim devices. This mullion is not easily removed due to special fittings.

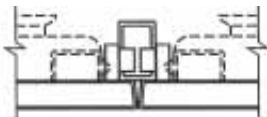
22-F and 88-F devices are rated up to 8' x 8' (2438mm x 2438mm).

98-F and 99-F devices are rated up to 10'0" (3048mm).

Note: If 268 or 499F strikes are not specified on the order, two per mullion will be added. Additional charges apply.



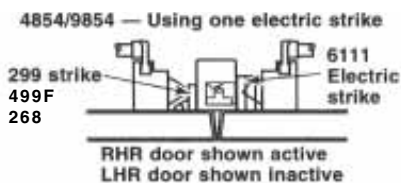
4754 Prepared for two 4263 monitor strikes.



4854 Prepared for one 299 and one 6111 electric strike. Indicate handing for electric strike.



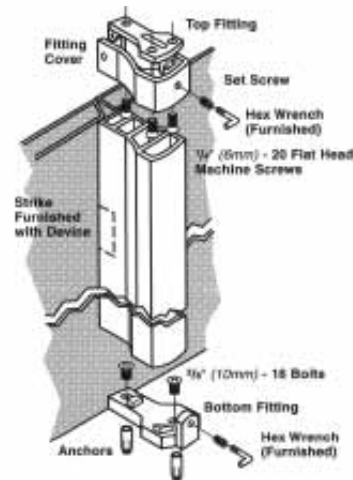
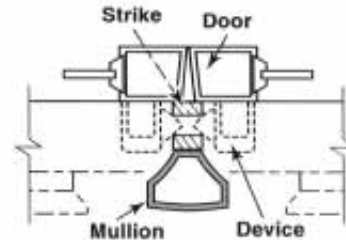
9854 Prepared for one 268 or 499F strike and one 6111 electric strike. Indicate handing for electric strike. UL fire labelled mullion for up to 3 hour openings up to 8' x 8' (2438mm x 2438mm) using Von Duprin Fire Exit Rim Devices



Aluminum Mullions

5654 Prepared for two 264 or 299 strikes with weatherstripping. Includes one set of 154 stabilizers.

5754 Prepared and furnished with one 1408 double door strike. Includes one 154 stabilizer set. **Note: specify device "less strike".**



Sizes for Mullions

1654, 4954, 4754, 4854, 5654, 5754	9854, 9954
7' 2" (2184mm)	7' 3" (2210mm)
*8' 2" (2489mm)	8' 3" (2475mm)
*10' 2" (3099mm)	10' 3" (3124mm)

KR1654, KR4954, KR4754, KR4854 **KR9854** , KR9954*****

7' 6" (2286mm)	7' 5" (2261mm)
8' 6" (2591mm)	*8' 5" (2565mm)
10' 6" (3200mm)	*10' 5" (3175mm)

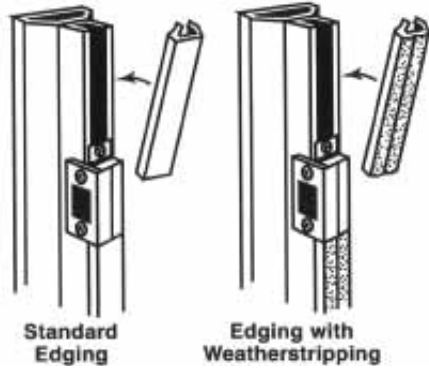
* Only qualifying applications will be provided with UL Label.

** Fire rated same as 9854

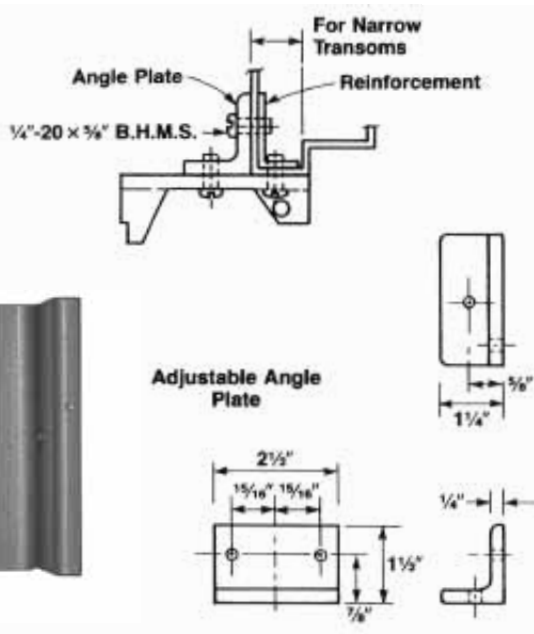
*** Fire rated same as 9954

Weatherstripping

Weatherstripping retards cold air from blowing between doors and mullion. It also serves as a silencer when the door is closed against the mullion. The silicone treated weatherstrip pile is bonded to a polypropylene backing. A slide-in molding houses the weatherstripping, covers mounting screws of the strike and extends to both the top and bottom of the mullion. Available on Aluminum Mullions only.



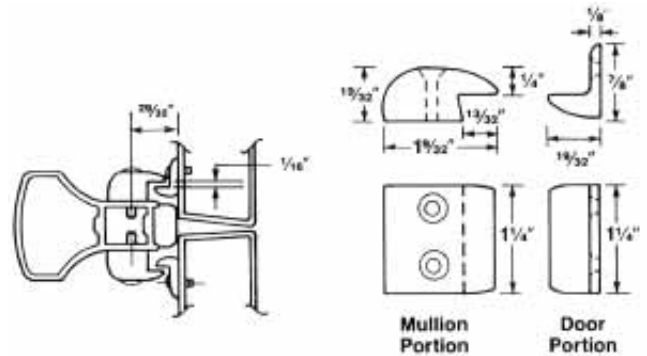
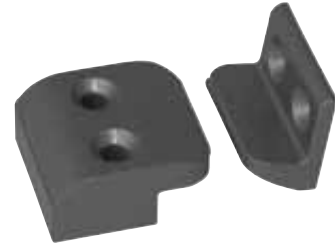
Angle Plate is used with narrow transom frames. The plate attaches to the transom extending the surface area needed to mount the mullion. Must be ordered separately. Specify finish.



154 Stabilizer is a two-piece interlocking set. One piece mounts on the mullion with the top mounting hole 5 3/16" (148mm) below the centerline of the strike; the other piece mounts on the door. Shims are provided to adjust for misalignment between the door and mullion.

The set maintains integrity between the door and mullion to prevent vandalism and to ensure contact between the device and strike as the doors expand and contract with temperature changes.

Furnished standard on aluminum mullions; optional for steel and all blank steel mullions.



MT54 Storage Kit is a set of floor and wall brackets that provide convenient storage of the keyed removable mullion when removed from the opening.

To Order, specify

1. Model MT54.
2. Finish SP28, SP313, or SPBLK

VON DUPRIN®

AUXILIARY HARDWARE & GENERAL INFORMATION

International Offices

Canada / Latin America

IR Security & Safety
1076 Lakeshore Road East
Mississauga, Ontario,
L5E 1E4, Canada
(905) 403-1800
(905) 278-1413 FAX
(877) 590-4734

North-East Asia

IR Security & Safety
23/F, 625 King's Road
Northpoint, Hong Kong
+(852) 2235-0600
+(852) 2565-1409 FAX

South-East Asia / Australia / NZ

IR Architectural Hardware Ltd.
P.O. Box 19-347
437 Rosebank Road,
Avondale, Auckland, New Zealand
+64 (0) 9-829-0550
+64 (0) 9-829-0552 FAX
www.irarchitecturalhardware.co.nz

Mexico

IR Security & Safety
Blvd. Centro Industrial No. 11
Puentas de Vigag, Tlalnepantla
Estado de Mexico, 54070 Mexico
+525-5-8503-6614

Europe / Middle-East / Africa

IR Security & Safety Ltd.
Bescot Crescent
Walsall, West Midlands WS1 4DL
United Kingdom
+44 (0)1922 707400
+44 (0)1922 646303 FAX
www.irsecurityandsafety.co.uk



Visit Von Duprin on the web
www.vonduprin.com
or contact an
IR Security & Safety Consultant
1-877-840-3621



VON DUPRIN

Administrative Offices
2720 Tobey Dr.
Indianapolis, IN 46219
317-613-8944
317-613-8302 Fax

Customer Service
800-999-0408
800-999-0328 Fax

Technical Support
888-371-7331
317-613-8509 Fax

An **IR** Ingersoll-Rand business