

**VON DUPRIN®**

55 Series Exit Device



**Security & Safety**  
Proven Source. Proven Solutions.™

## Index

	Introduction . . . . .	3
<b>Exit Hardware</b>	Rim device . . . . .	4
	Mortise lock device . . . . .	5
	Concealed vertical rod device . . . . .	6
	Wood door concealed vertical rod device . . . . .	6
<b>Fire Exit Hardware</b>	Mortise lock device . . . . .	7
	Concealed vertical rod device . . . . .	8
	Wood door concealed vertical rod device . . . . .	9
<b>Trim Selection</b>	. . . . .	10-11
<b>Options and Accessories</b>	Conversion kit . . . . .	14
	Cylinders . . . . .	14
	Optional levers . . . . .	11
<b>Additional Information</b>	ANSI grade, type & function . . . . .	16
	Device dimensions . . . . .	17
	Double door applications . . . . .	15
	Finishes . . . . .	16
	Fire label ratings/applications . . . . .	16
	Handing . . . . .	17
	How-To-Order Information . . . . .	17
	Nomenclature . . . . .	18
	Strike application/minimum stile . . . . .	12
	Strike information . . . . .	13

## Introduction

The proper selection and application of exit hardware, in addition to safety, are major concerns to all responsible manufacturers. Exit devices are a critical part of a door opening or access system and will provide safe and reliable service when properly applied and maintained. It is the policy of Von Duprin Division, Ingersoll-Rand Company, to design and manufacture exit devices to a high standard of quality and reliability in accordance with accepted U.S. domestic and international standards. All 55 series exit devices are UL listed for Accident Hazard or Fire Exit Hardware, and are tested in accordance to ANSI A156.3, 1994, Grade I.

It is intended that the information included in this publication, when properly used, will provide clear and reliable guidelines to the proper general selection and application. However, the scope of the information is necessarily limited.

Unusual operating conditions and environments, and other external influences can affect the proper application of the products represented. Modifications of these products will also affect UL listings. It is recommended whenever an unusual application condition exists, or when any modification of a product is considered, our engineers review the application.

Application engineering services are available to help ensure proper selection or to review any areas where users of Von Duprin products may have questions.



1409

55 rim devices for all types of single and double doors with mullion, UL listed for accident hazard installations. Fits doors stiles as narrow as 1-3/4" (44mm). Specify if 2-1/4" door.

## Features

- Field sizeable
- 3/4" (19mm) throw latch bolt
- Five popular finishes
- Hex key dogging

## Dimensions

Crossbar height to finished floor	36-13/16" (1011mm) at center
Crossbar projection —	
neutral	3-3/4" (95mm)
depressed	2-3/8" (60mm)
Crossbar length	42" (1067mm)
Lock stile case	7-1/4" x 1-3/16" x 2-1/4" (184mm x 30mm x 57mm)
Hinge stile case	7-1/4" x 1-3/16" x 2-1/4" (184mm x 30mm x 57mm)
Crossbar tubing	1" (25mm)

## Strikes and Fasteners

Device is furnished with standard 1409 strike in dull black finish. Sex nuts and bolts for mounting are included for 1-3/4" (44mm) and 2-1/4" (57mm) thick doors. For strike dimensions and optional strike information, refer to pages 12-13.

## Outside Trim

### Standard

550DT x 110NL-MD  
550DT x 110NL-WD  
550DT

For complete outside trim information, see pages 10-11.

For How-To-Order Information on all devices, see page 17.



575

5575 mortise lock devices for all types of single and double doors. UL listed for accident hazard installations.

The 7500 mortise lock is equipped with a 3/4" (19mm) anti-friction latch bolt which is field reversible without removing the lock from the door. It has a non-handed auxiliary bolt for deadlocking and a faceplate with an adjustable bevel. Wood doors required 589 cover plate.

## Features

- Field sizeable
- 3/4" (19mm) throw latch bolt
- Latch bolt deadlocking
- Five popular finishes

## Dimensions

Crossbar height to finished floor	36-13/16" (935mm) at center
Latch bolt height to finished floor	40-3/32" (1018mm) at center
Crossbar projection —	
neutral	3-3/4" (95mm)
depressed	2-3/8" (60mm)
Crossbar length	42" (1067mm)
Lock stile case	7-1/4" x 1-3/16" x 2-1/4" (184mm x 30mm x 57mm)
Hinge stile case	7-1/4" x 1-3/16" x 2-1/4" (184mm x 30mm x 57mm)
Lock case	4-5/8" x 5-3/4" x 1-1/16" (117mm x 146mm x 27mm)
Faceplate	1-1/4" x 8" x 7/32" (32mm x 203mm x 6mm)
Cylinder backset	2-3/4" (70mm)
Crossbar tubing	1" (25mm)

## Strikes and Fasteners

Device is furnished with standard 575 strike in dull black finish. Sex nuts and bolts for mounting are included for 1-3/4" (44mm) and 2-1/4" (57mm) thick doors. Optional strikes and finishes are available. For strike applications, dimensions, and minimum door stile information, refer to pages 12-13.

## Outside Trim

### Standard

375L  
550DT

For complete outside trim information, see pages 10-11.

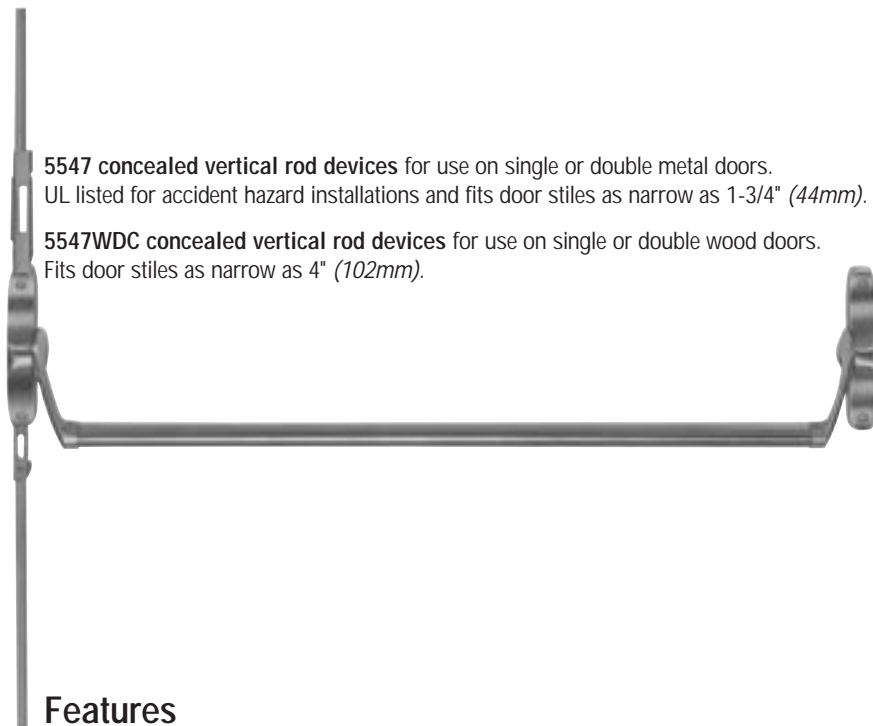
For How-To-Order Information on all devices, see page 17.

# VON DUPRIN® 55 Concealed Vertical Rod Device



**5547 concealed vertical rod devices** for use on single or double metal doors.  
UL listed for accident hazard installations and fits door stiles as narrow as 1-3/4" (44mm). Specify if 2-1/4" door.

**5547WDC concealed vertical rod devices** for use on single or double wood doors.  
Fits door stiles as narrow as 4" (102mm).



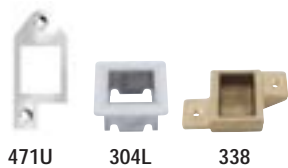
## Features

- Field sizeable
- 1/2" (13mm) (MD) or 5/8" (16mm) WD throw latch bolt
- Five popular finishes
- Hex key dogging

## Dimensions

Crossbar height to finished floor	36-13/16" (935mm) at center
Crossbar projection —	
neutral	3-3/4" (95mm)
depressed	2-3/8" (60mm)
Crossbar length	42" (1067mm)
Lock stile case	7-1/4" x 1-3/16" x 2-1/4" (184mm x 30mm x 57mm)
Hinge stile case	7-1/4" x 1-3/16" x 2-1/4" (184mm x 30mm x 57mm)
Vertical rods-hexagon	3/8" (10mm) adjustable top rod
Crossbar tubing	1" (25mm)

Note: Maximum door undercut, 1/4" (6mm).



## Strikes and Fasteners

5547 is furnished standard with 471U and 304L.

5547WDC is furnished standard with 338 and 304L.

Sex nuts and bolts for mounting are included for 1-3/4" (44mm) and 2-1/4" (57mm) thick doors. For strike dimensions and optional strike information, refer to pages 12-13.

## Outside Trim

### Standard

555NL  
550DT  
376T x 550DT

### Optional

Wood Door  
556NL  
550DT  
376T (WDC) x 550DT

For complete outside trim information, see pages 10-11.

For How-To-Order Information on all devices, see page 17.



575

**5575-F fire exit mortise lock devices** for 4' x 10' (1219mm x 3048mm) single or 8' x 8' (2438mm x 2438mm) double metal doors, UL listed for up to 3 hour labeled installations. Fits door stiles as narrow as 4-3/4" (121mm).

The 7500 mortise lock is equipped with a 3/4" (19mm) anti-friction latch bolt which is field reversible without removing the lock from the door. It has a non-handed auxiliary bolt for deadlocking and a faceplate with an adjustable bevel. Wood door required 589 cover plate.

## Features

- Field sizeable
- 3/4" (19mm) throw latch bolt
- Latch bolt deadlocking
- Five popular finishes

## Dimensions

Crossbar height to finished floor	36-13/16" (935mm) at center
Latch bolt height to finished floor	40-3/32" (1018mm) at center
Crossbar projection —	
neutral	3-3/4" (95mm)
depressed	2-3/8" (60mm)
Crossbar length	42" (1067mm)
Lock stile case	7-1/4" x 1-3/16" x 2-1/4" (184mm x 30mm x 57mm)
Hinge stile case	7-1/4" x 1-3/16" x 2-1/4" (184mm x 30mm x 57mm)
Lock case	4-5/8" x 5-3/4" x 1-1/16" (117mm x 146mm x 27mm)
Faceplate	1-1/4" x 8" x 7/32" (32mm x 203mm x 6mm)
Cylinder backset	2-3/4" (70mm)
Crossbar tubing	1" (25mm)

## Strikes and Fasteners

Device is furnished with standard 575 strike in dull black finish. Sex nuts and bolts for mounting are included for 1-3/4" (44mm) and 2-1/4" (57mm) thick doors. Optional strike and finishes are available. For strike applications, dimensions, and minimum door stile information, refer to pages 12-13.

## Outside Trim

### Standard

550DT

375L

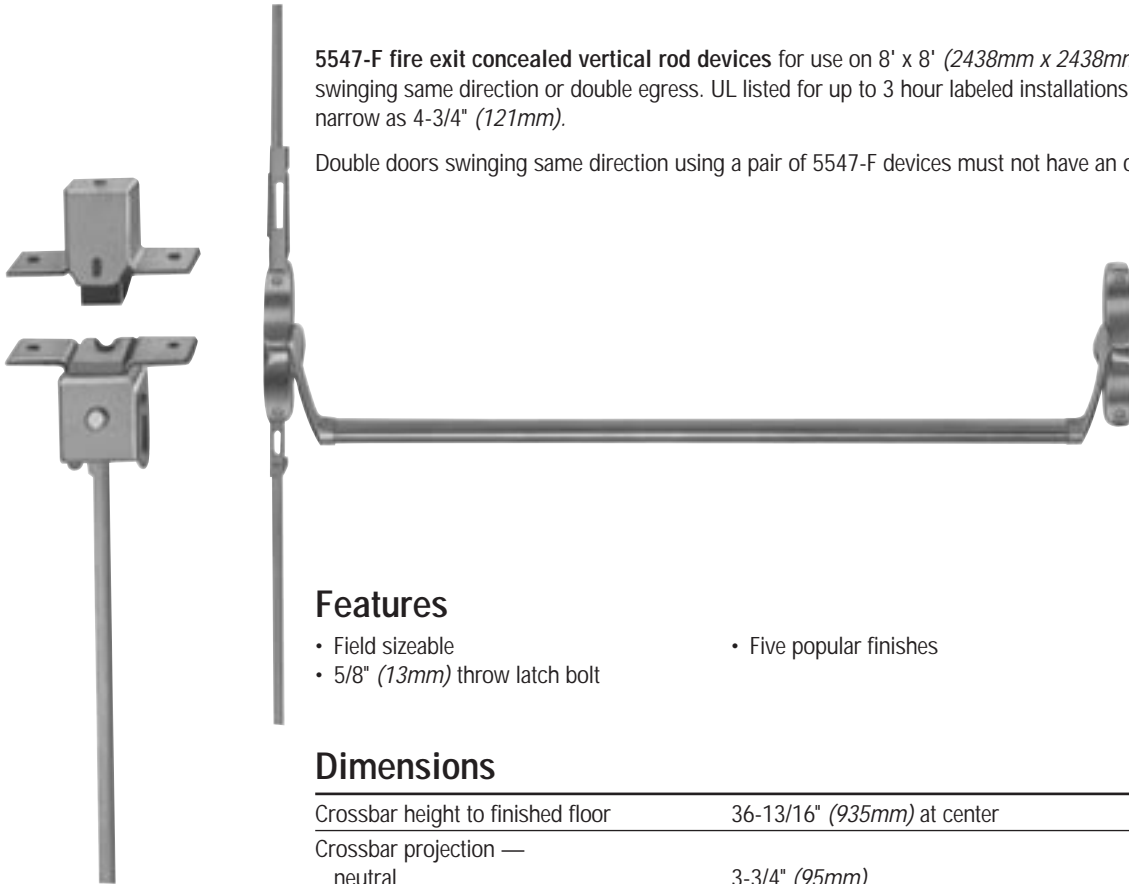
For complete outside trim information, see pages 10-11.

For How-To-Order Information on all devices, see page 17.

# VON DUPRIN® 55 Fire Concealed Vertical Rod Device

5547-F fire exit concealed vertical rod devices for use on 8' x 8' (2438mm x 2438mm) double metal doors swinging same direction or double egress. UL listed for up to 3 hour labeled installations and fits door stiles as narrow as 4-3/4" (121mm).

Double doors swinging same direction using a pair of 5547-F devices must not have an overlapping astragal.



## Features

- Field sizeable
- 5/8" (13mm) throw latch bolt
- Five popular finishes

## Dimensions

Crossbar height to finished floor	36-13/16" (935mm) at center
Crossbar projection —	
neutral	3-3/4" (95mm)
depressed	2-3/8" (60mm)
Crossbar length	42" (1067mm)
Lock stile case	7-1/4" x 1-3/16" x 2-1/4" (184mm x 30mm x 57mm)
Hinge stile case	7-1/4" x 1-3/16" x 2-1/4" (184mm x 30mm x 57mm)
Vertical rods	3/8" (10mm) hexagon
Crossbar tubing	1" (25mm)

Note: Maximum door undercut, 1/4" (6mm).

## Strikes and Fasteners

Device is furnished with standard 301L strike. Sex nuts and bolts for mounting are included for 1-3/4" (44mm) and 2-1/4" (57mm) thick doors. For strike dimensions and optional strike information, refer to pages 12-13.



301L

## Outside Trim

### Standard

371L

376T x 609DT

For complete outside trim information, see pages 10-11.

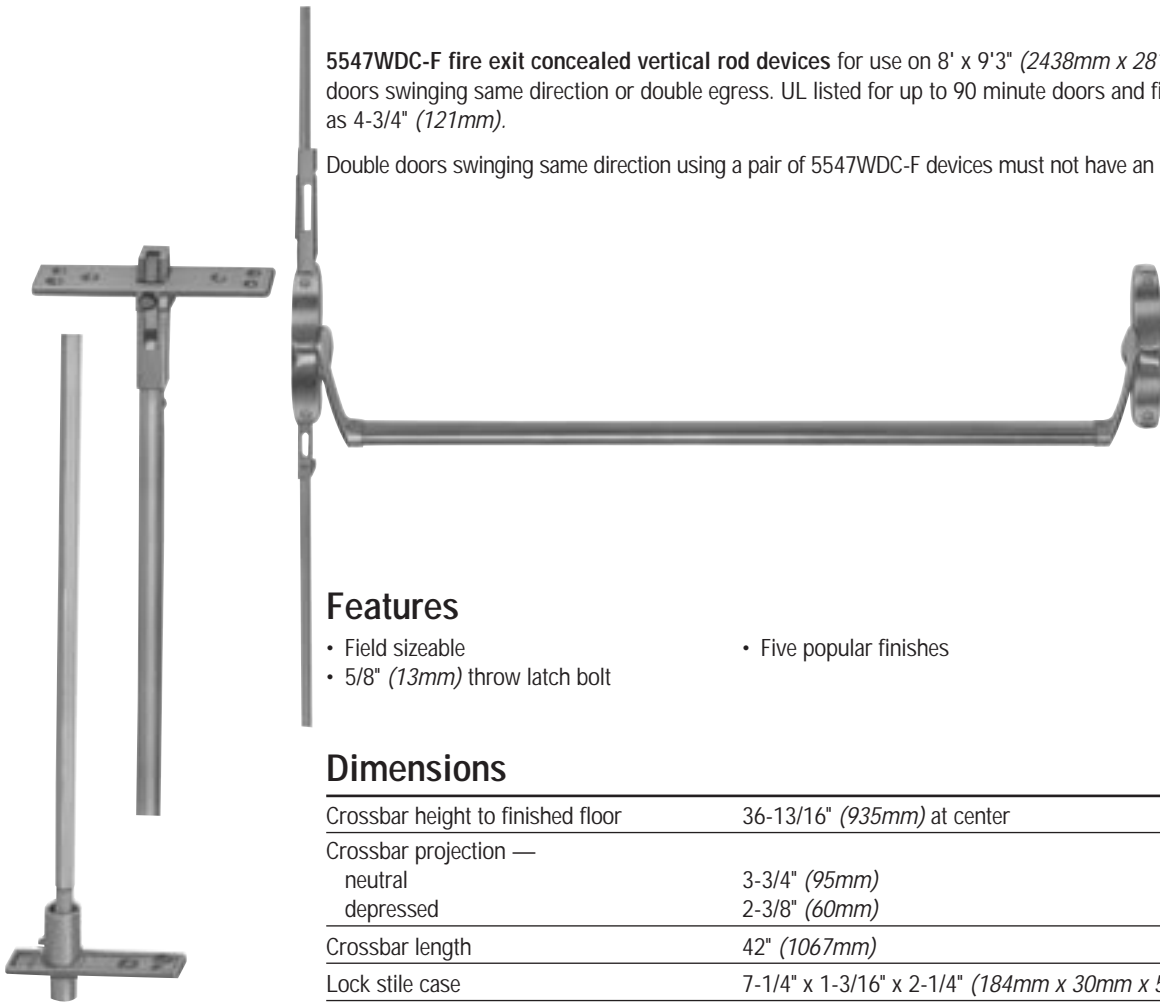
For How-To-Order Information on all devices, see page 17.



# VON DUPRIN® 55 Fire Exit WDC Concealed Vertical Rod Device

5547WDC-F fire exit concealed vertical rod devices for use on 8' x 9'3" (2438mm x 2819mm) double wood doors swinging same direction or double egress. UL listed for up to 90 minute doors and fits stiles as narrow as 4-3/4" (121mm).

Double doors swinging same direction using a pair of 5547WDC-F devices must not have an overlapping astragal.



## Features

- Field sizeable
- 5/8" (13mm) throw latch bolt
- Five popular finishes

## Dimensions

Crossbar height to finished floor	36-13/16" (935mm) at center
Crossbar projection —	
neutral	3-3/4" (95mm)
depressed	2-3/8" (60mm)
Crossbar length	42" (1067mm)
Lock stile case	7-1/4" x 1-3/16" x 2-1/4" (184mm x 30mm x 57mm)
Hinge stile case	7-1/4" x 1-3/16" x 2-1/4" (184mm x 30mm x 57mm)
Vertical rods	3/8" (10mm) hexagon
Crossbar tubing	1" (25mm)

Note: Maximum door undercut, 1/4" (6mm).



304L



338

## Strikes and Fasteners

Device is furnished with standard 338 and 304L strikes. Sex nuts and bolts for mounting are included for 1-3/4" (44mm) and 2-1/4" (57mm) thick doors. For strike dimensions and optional strike information, refer to pages 12-13.

## Outside Trim













### Standard

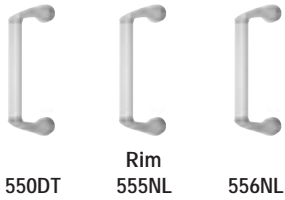
376T x 550DT

For complete outside trim information, see pages 10-11.

For How-To-Order Information on all devices, see page 17.

# VON DUPRIN® 55 Trim Selection

Function	01 Exit Only	02 Pull When Dogged	03 Key Retracts Latch Bolt	08 Key Locks Lever	08 Key Locks Lever	11 Key Locks Thumbturn (Pull Required)
Trim Number and Dimensions	55EO 	55DT 	55NL 	371-L 	375-L 	376DT x 609DT 
Device/Trim Center Line To Finished Floor						
Projection	—	2-5/8" (67mm) 1-7/8" (48mm)	2-5/8" (67mm) 1-7/8" (48mm)	2-5/8" (67mm)	—	1-13/16" (46mm)
Rim	Panic: 55EO Ctr. Line: A 39-13/16" (1011mm)	Panic: 55DT Ctr. Line: A 39-13/16" (1011mm) B 39-13/16" (1011mm)	Panic: 55NL Ctr. Line: A 39-13/16" (1011mm) B 39-13/16" (1011mm)	—	—	—
Mortise Lock	Panic: 5575EO Fire: 5575EO-F Ctr. Line: —	Panic: 5575DT Fire: — Ctr. Line: —	Panic: 5575NL Fire: 5575NL-F Ctr. Line: —	—	5575L 5575L-F A 39-13/16" (1011mm) B 38-1/2" (978mm)	—
Concealed Vertical Rod Lock	Panic: 5547EO Fire: 5547EO-F Ctr. Line: —	Panic: 5547DT Fire: — Ctr. Line: —	Panic: 5547NL Fire: — Ctr. Line: —	5547L-F	—	5547TL 5547TL-F A 39-13/16" (1011mm) B 40-7/16" (1027mm)
Additional SNB requirements	2	2	2	2	2	2
Cylinder Type Required	Rim: — Mortise: — C.V.R.: —	Rim: — Mortise: — C.V.R.: —	Rim: — Mortise: — C.V.R.: —	Rim: — Mortise: — C.V.R.: —	Rim: — Mortise: — C.V.R.: —	Rim: — Mortise: — C.V.R.: —



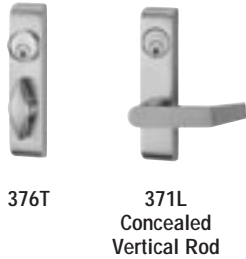
## Standard Trim

### Series 550

Heavy aluminum bracket with 10" (25mm) stainless steel or brass pull bar. 550DT with NL function is furnished with 110MD or WD. On 555NL (Metal) and 556NL (Wood), the cylinder locates in pull return. Cylinder must be ordered separately.

### Series 550

Heavy aluminum brackets with 10" (25mm) stainless steel or brass pull bar. DT function only.



### Series 376T

Thumbturn control has a forged brass 7/8" (25mm) thick escutcheon. Often used with DT trim or pull. An NL cylinder plate is included for thumbturn operation only when key is used for vertical rod or mortise device. BE blank escutcheon is available, specify 376T-BE.

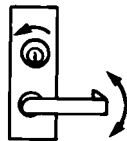
### Series 370L

Lever control has a forged brass 7/8" (25mm) thick escutcheon. Optional lever designs are available. An NL cylinder plate is included for lever operation only when key is used for vertical rod or mortise device. BE Blank escutcheon is available, specify 371L-BE.

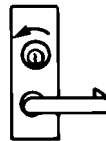
## Lever Design Options



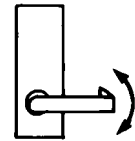
## Operation Options



*Standard Operation* — Key locks and unlocks lever.



*NL Function* — Lever is locked when key is removed.

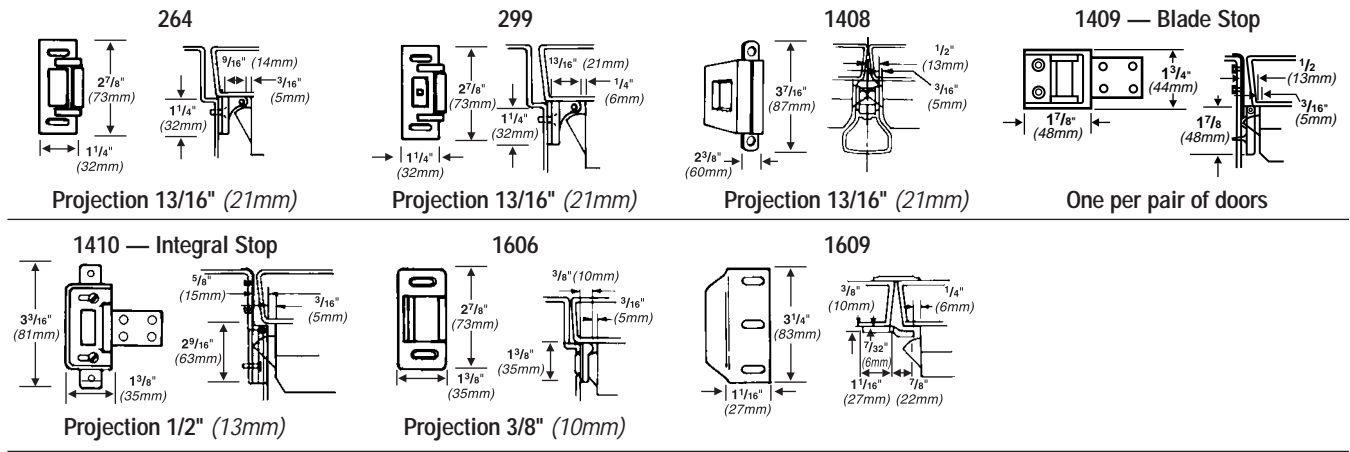


*Blank Escutcheon* — Lever always active. BE suffix, e.g., 371L-BE.

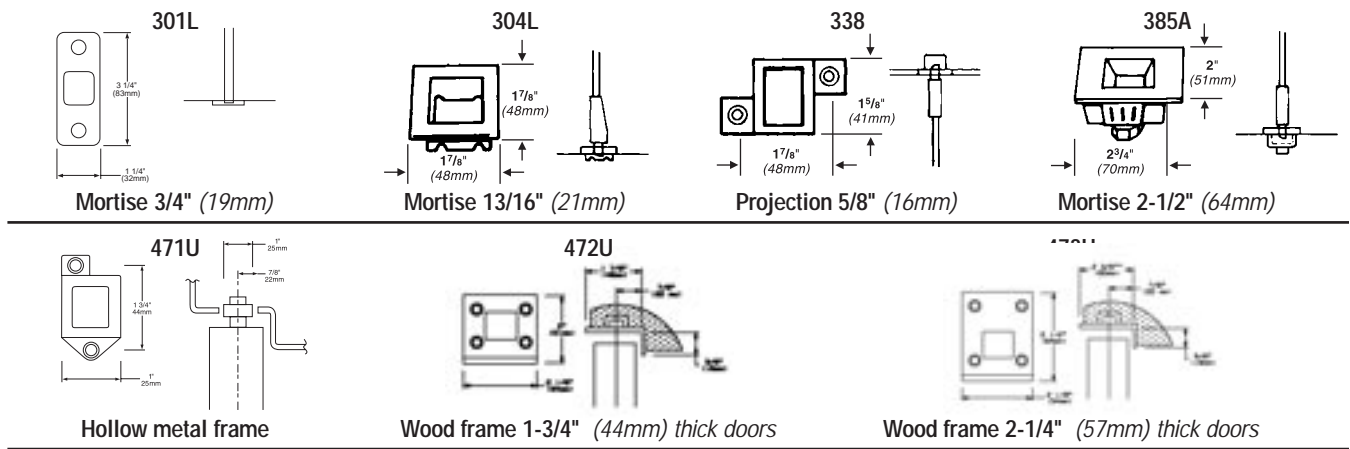
## Strike Application/Minimum Stile

Device Type	Standard				Optional			
	Single door		Double door		Single door		Double door	
55 Rim	Strike	Stile	Strike w/Mullion	Stile	Strike	Stile	Strike w/Mullion***	Stile
	299	2-13/16" (71mm)	299 x 5654	2-3/4" (70mm)	1410	1-3/4" (44mm)	264 x 5654	2-1/2" (64mm)
	1409	1-3/4" (44mm)	1408 x 5754	1-3/4" (44mm)	1606	2-3/8" (60mm)	1606 x 1654	2-3/4" (70mm)
							299 x 4954	3-3/16" (81mm)
					264	2-9/16" (65mm)	264 x 4954	2-5/16" (75mm)
5575	575	4-3/4" (121mm)	—	—	—	575-2	576A-576B	4-3/4" (121mm)
5575-F	575	4-3/4" (121mm)	—	—	—	575-2	576A-576B	4-3/4" (121mm)
5547	Strike		Stile		Strike		Stile	
	471U (Top) 301L (Bottom)		Single door Two vertical rod devices Vertical rod w/mortise lock device	1-7/8" (48mm) 1-3/4" (44mm) 4-3/4" (121mm)	472U/473U (Top) For Wood Frames		Single door Two vertical rod devices Vertical rod w/mortise lock device	1-7/8" (48mm) 1-3/4" (44mm) 4-3/4" (121mm)
5547WDC	338 (Top) 301L (Bottom)		Single door Two vertical rod devices	4" (127mm) 4" (127mm)	472U/473U (Top) For Wood Frames		Single door Two vertical rod devices	4" (127mm) 4" (127mm)
5547-F	Soffit Latch (Top) 301L (Bottom)		Two vertical rod devices Vertical rod w/mortise device	4-3/4" (121mm) 4-3/4" (121mm)	385A (Bottom)		Vertical rod w/mortise lock device	4-3/4" (121mm)
5547WDC-F	338 (Top) 301L (Bottom)		Two vertical rod devices	4" (127mm)	472U/473U (Top) For Wood Frames		Two vertical rod devices	4" (127mm)

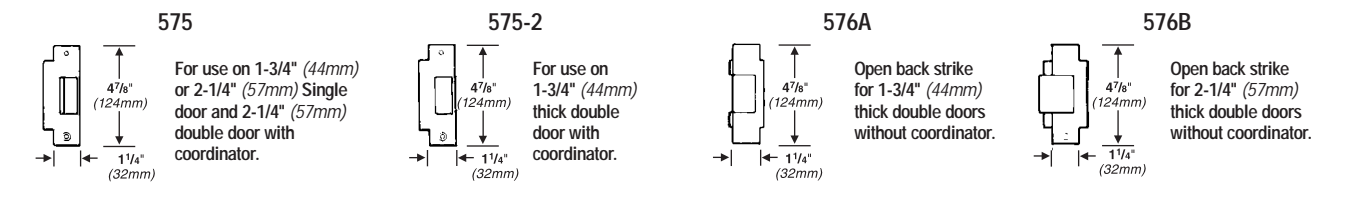
## Strikes for Rim Devices



## Strikes for Vertical Rod Devices



## Strikes for Mortise Lock Devices

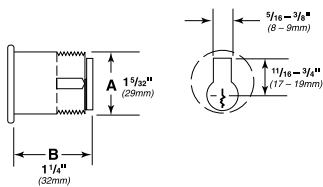


## Cylinders

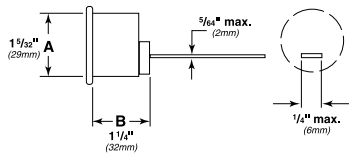
Cylinders are not furnished with device or trim and must be specified when ordering. Rim and concealed vertical rod exit devices use rim type cylinders. Mortise lock exit devices and series 370 controls use mortise type cylinders.



Mortise — 3215 (Schlage D502-191 cam)



Rim — 3216

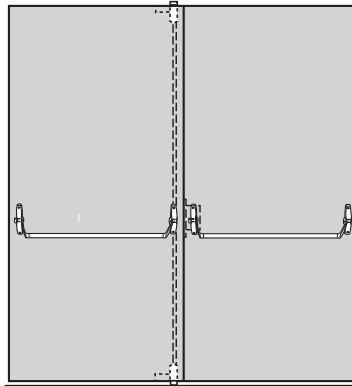


## Conversion Kit — NL

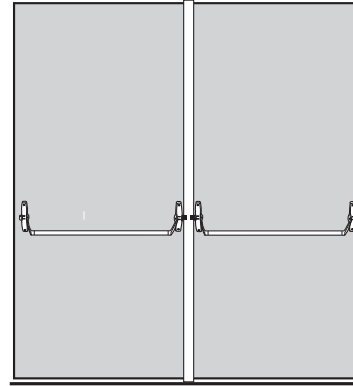
For converting 55DT or 55EO to 55NL for night latch function. The kit includes 110NL cylinder assembly and cam. The 550DT trim and 3216 rim cylinder are not included.

Order 55CK-NL, specify finish.

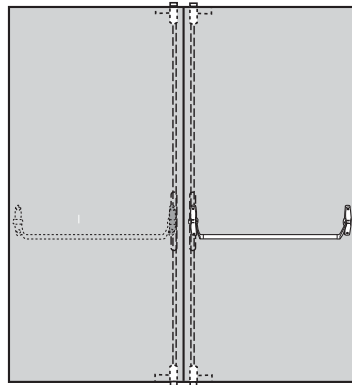
## Popular Double Door Applications



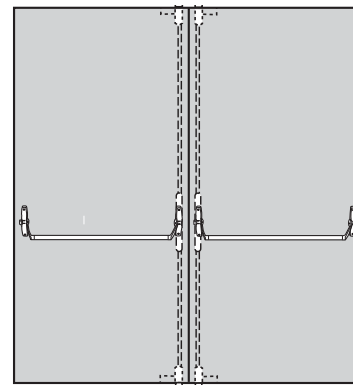
Mortise lock and vertical rod device combination — same direction



Two rim devices with mullion — same direction



Two vertical rods — double egress



Two vertical rod devices — same direction (do not use with overlapping astragal)

## UL Listed — Fire Exit Hardware Label/Opening Size

Exit Device	Single Door	Double Door		
		Same Direction Vert./Vert.	Same Direction Vert./Mortise	Double Egress
5575-F	3 Hour 4' x 10'	—	3 Hour 8' x 8'	—
5547-F	—	90 Min. 8' x 8'	3 Hour 8' x 8'	3 Hour 8' x 8'
5547-F-WDC	—	90 Min. 8' x 9'3"	—	—

## ANSI Grade, Type & Function

Function	Grade 1 Type 1 & 4	Grade 1 Type 3 & 10	Grade 1 Type 6 & 8
01	55EO	5575EO, 5575EO-F	5547EO, 5547EO-F
02	55DT	5575DT	5547DT
03	55NL	5575NL, 5575NL-F	5547NL
08	—	—	5547L-F
11-12	—	—	5547TL, 5547TL-F
11-12	—	—	5547TL-WDC, 5547TL-WDC-F

## Finishes

Color	US Number	BHMA Number
Brass, Polished	US3	BHMA605
Brass, Dull	US4	BHMA606
Brass, Dull-oxidized	US10B	BHMA613
Bronze, Dull	US10	BHMA612
Chrome, Polished	US26	BHMA625
Chrome, Dull	US26D	BHMA626



## How-To-Order Information

### Rim and mortise lock devices, specify:

1. Exit device model number and trim selection.  
Examples: 55EO (exit only and no outside trim).  
55DT (includes standard 555 DT trim).
2. Door width if greater than 4' (1219mm).
3. Door thickness if other than 1-3/4" (44mm).
4. Door and frame material if other than hollow metal.
5. Finish, see page 16.
6. Handing, LHR or RHR. See below.

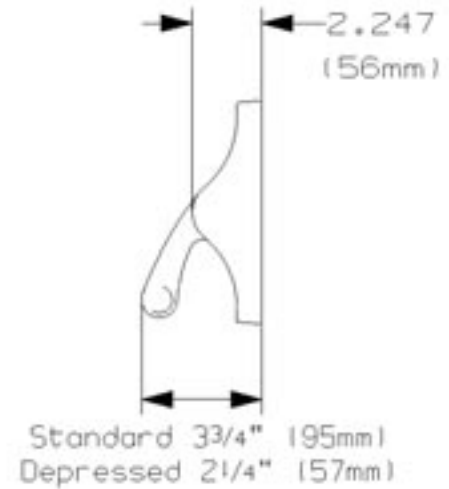
### Vertical rod devices, specify:

1. Exit device model number and trim selection.  
Examples: 5547EO (exit only and no outside trim).  
5547NL (includes standard 555 NL trim).
2. Door width if greater than 4' (1219mm).
3. Door thickness if other than 1-3/4" (44mm).
4. Door height if other than 8' (2438mm), extension rods must be ordered.
5. Door and frame material if other than hollow metal.
6. Finish, see page 16.
7. Handing, LHR or RHR. See below.

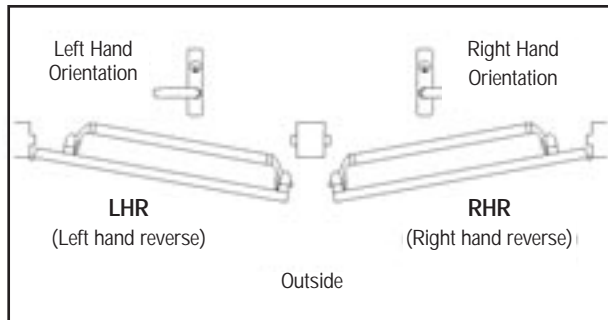
## Dimensions



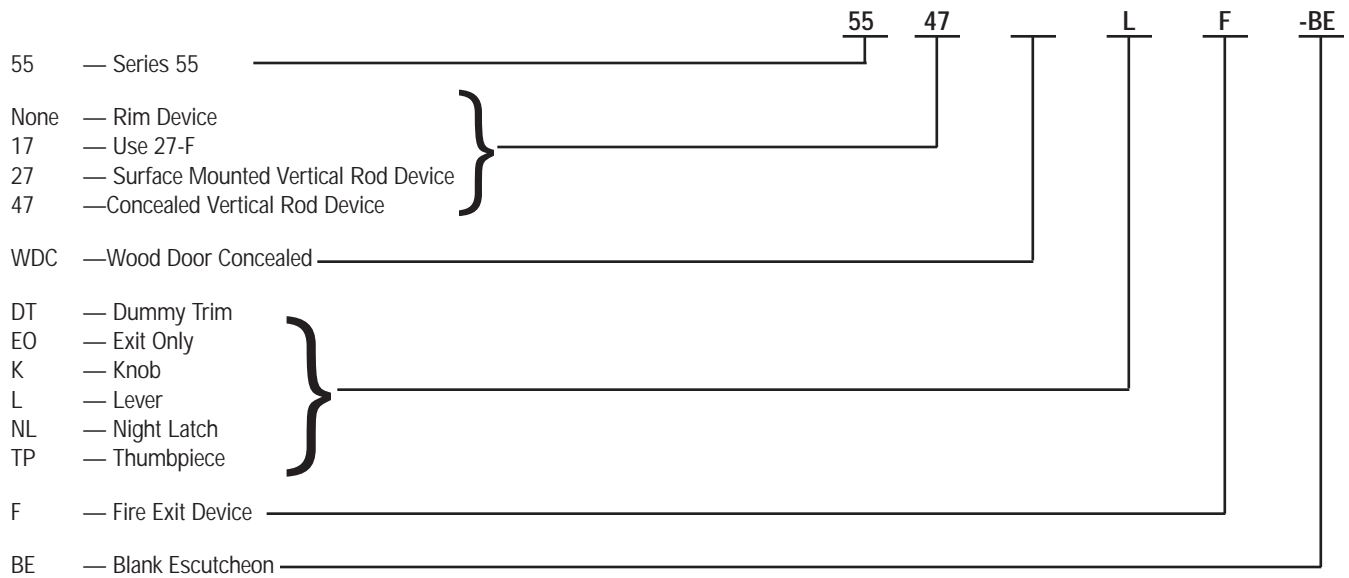
Standard 3-3/4" (96mm)  
Depressed 2-1/4" (57mm)



## Handing of Doors



## Nomenclature





# 55 Series Exit Devices



Visit Von Duprin on the web  
[www.vonduprin.com](http://www.vonduprin.com)



#### VON DUPRIN

2720 Tobey Drive,  
Indianapolis, IN 46219  
317-613-8944 phone  
317-613-8302 fax  
[www.vonduprin.com](http://www.vonduprin.com)  
[www.irsecurityandsafety.com](http://www.irsecurityandsafety.com)

#### IR Canada and Latin America

Ingersoll-Rand Architectural Hardware  
1076 Lakeshore Road East  
Mississauga, Ontario, L5E 1E4, Canada  
(905) 403-1800  
FAX (905) 278-1413

#### IR North-East Asia

23/F, 625 Kings Road  
Northpoint  
Hong Kong  
(852) 2235-0600  
FAX (852) 2265-1409

An **IR Ingersoll-Rand** business