

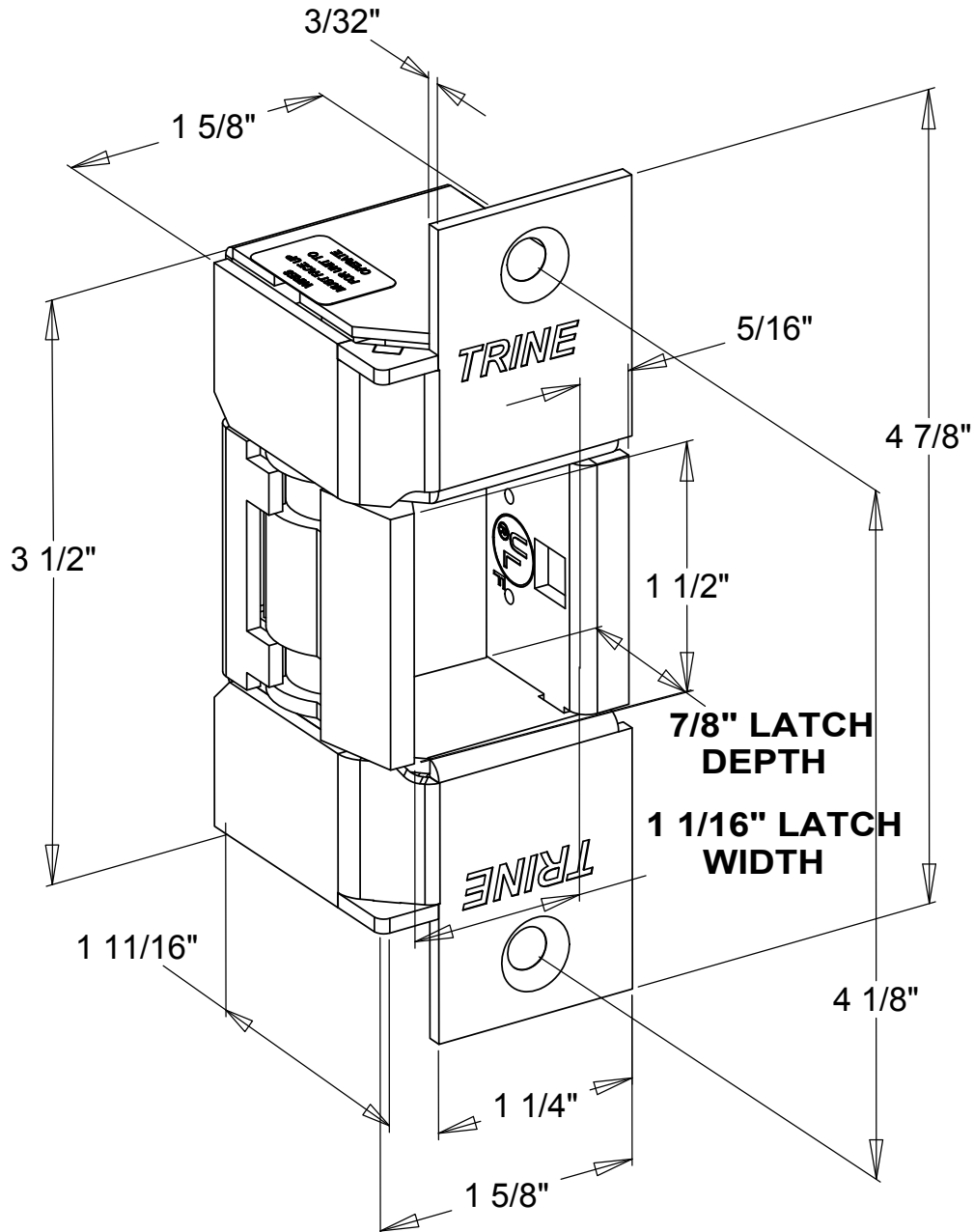
# EN400RP

## Electric Strike

### Dimension



1440 Ferris Place • Bronx • New York • 10461-3699  
Telephone Number: (718) 829-2332  
Fax Number: (718) 829-6405  
Email: [CustomerService@Trineonline.com](mailto:CustomerService@Trineonline.com)  
Website: [www.Trineonline.com](http://www.Trineonline.com)



**For use with Rim Panic Devices.**