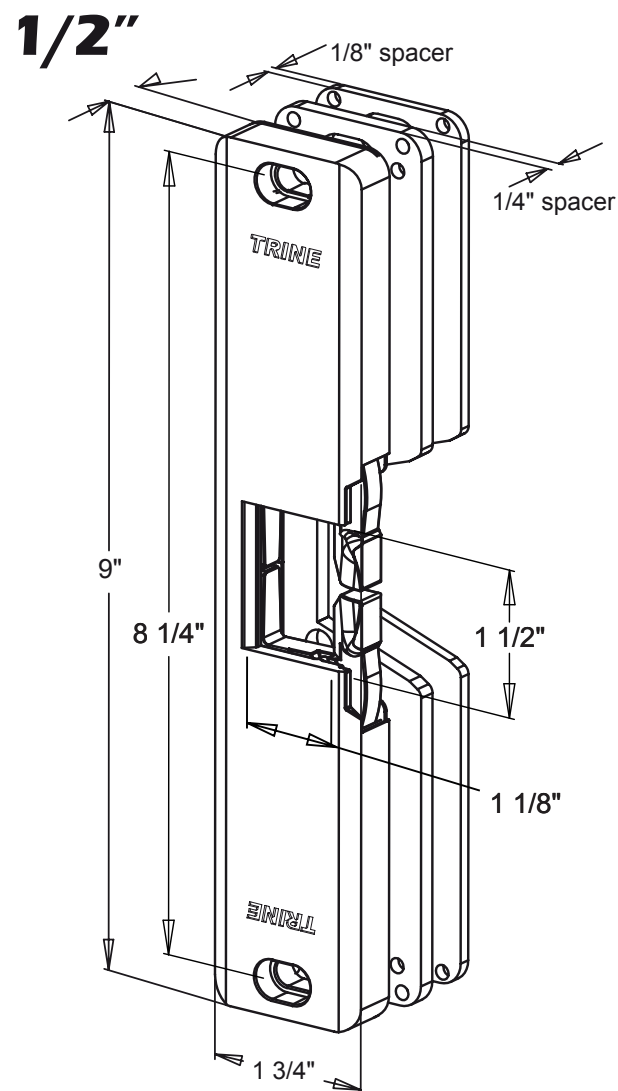


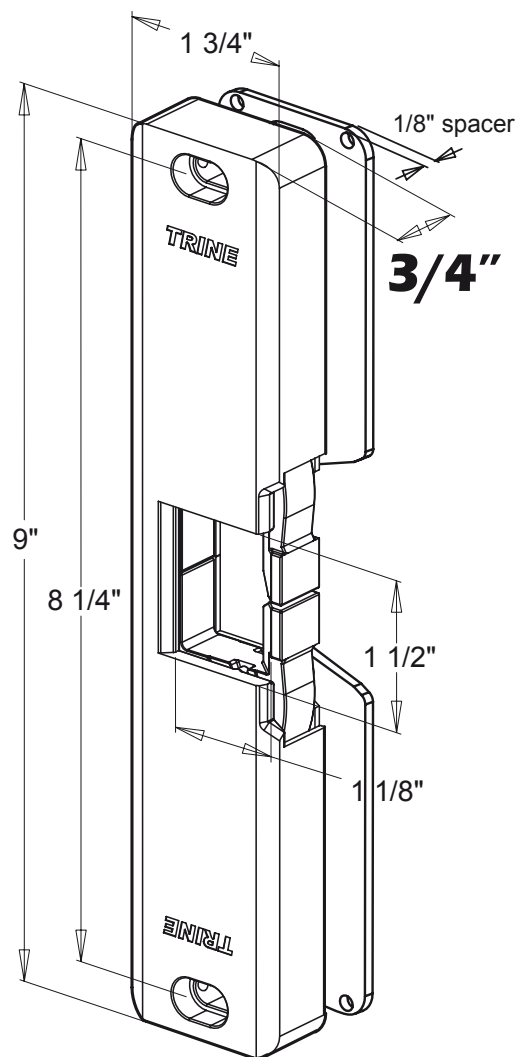


4800 SERIES DIMENSIONS

For the 4850, 4850-PoE,
& 4850-LCD



For 4800 & 4801



ACCESSORIES;

4800-SS: All 4800 series strikes come with at least 1 spacer plate – you may purchase an extra 1/8" Spacer plate with this item #.

MWH-5: Removable Mullion wire harness for 4800 series Electric Strikes.

4850-AK: Accessories Kit.

- Contains;
- (1) Fail safe plunger with spring.
 - (1) Fail safe cam. (2) Mounting screws.
 - (6) Trine Patented Anchoring Pins.
 - (1) Wire connector (2) Wire caps.

4800-AK: Accessories Kit.

- Contains;
- (1) Fail safe plunger with spring.
 - (2) Mounting screws.
 - (6) Trine Patented Anchoring Pins.
 - (1) Wire connector (2) Wire caps.

THE NEW 4850-POE & LCD A LITTLE GREEN CAN GO A LONG WAY

EVERY AMP COUNTS IN AN ACCESS CONTROL SYSTEM. THIS STRIKE WAS BUILT WITH THAT IN MIND.

TRINE®	4850-POE	.260 A	12DC	3.12 W
TRINE®	4850-LCD	.135 A	24DC	3.24 W
OTHER SURFACE MOUNTED STRIKES START AT...		.450 A	12DC	5.40 W
		.250 A	24DC	6.00 W

What will you do with lower current draw

- ✦ Reduce your power supply Size to save money. *Why buy a 4 Amp. supply when 2 Amp. will do the job?*
- ✦ Reduce the number of installations that require a separate power supply for door hardware, i.e. PoE systems and automatic door operators.
- ✦ Add more devices to your system.
- ✦ Increase UPS up time due to lower current draw.



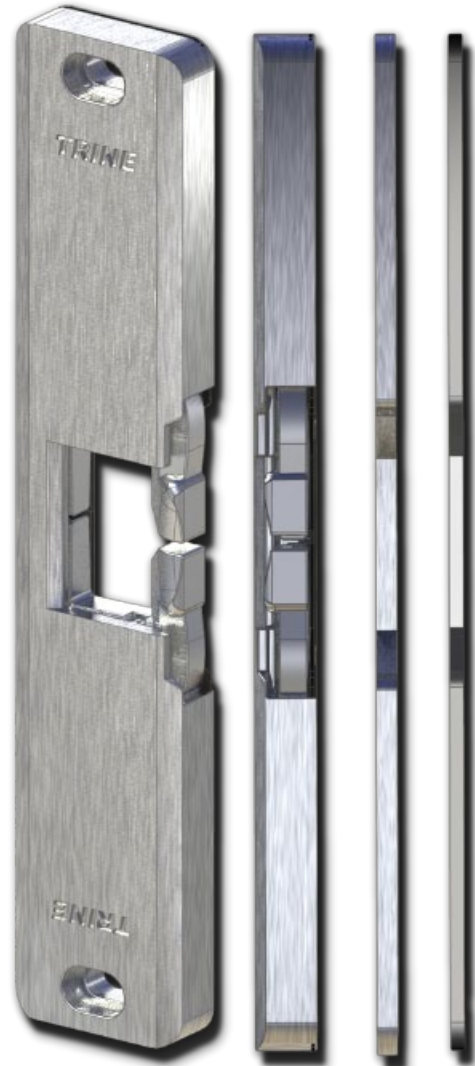
4 SIZES – 1 BOX
TWO SPACER PLATES PROVIDE
MAXIMUM FLEXIBILITY

NO CUTTING OF THE FRAME

www.trineonline.com



UNIVERSAL 4850



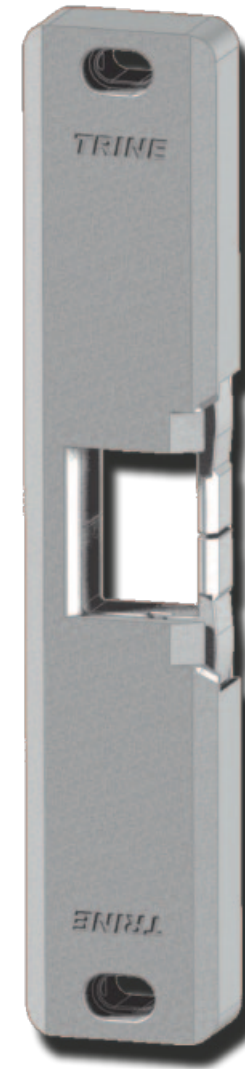
4850 is 11-28 DC
Comes with 2 spacer plates
4 sizes – 1 box – no cutting
1/2" surface mounted strike

ORIGINAL 4800



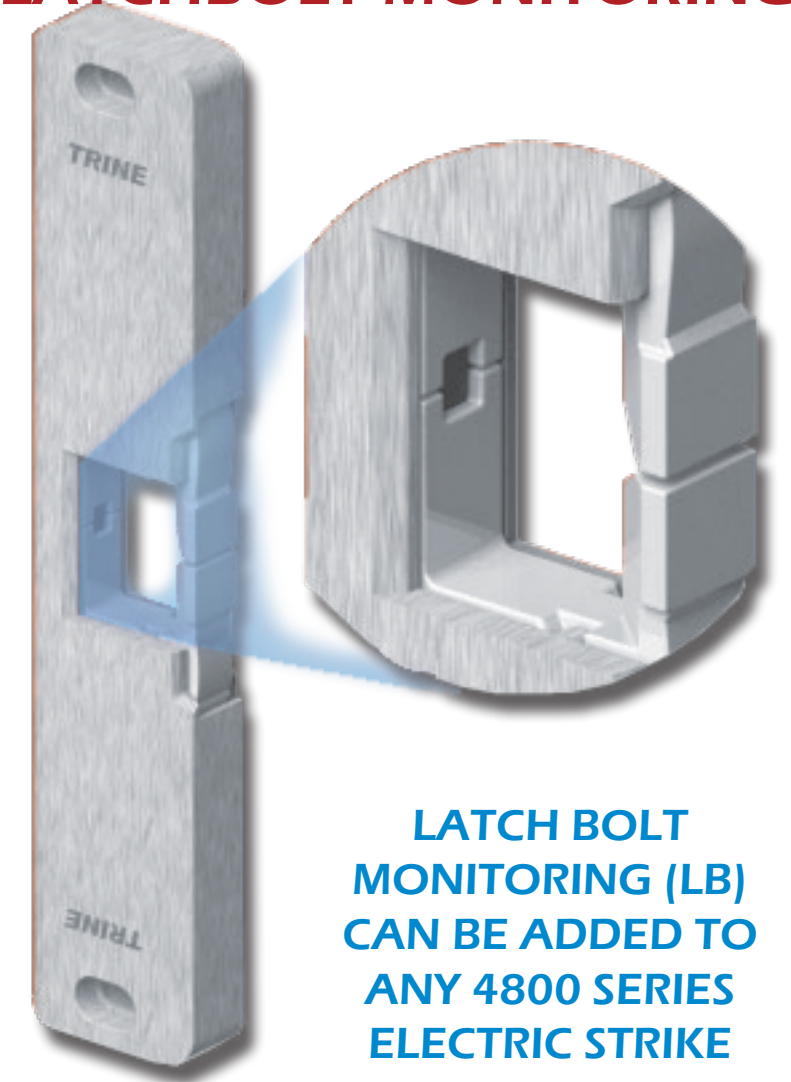
4800 is 11-28 AC and DC
Comes with 1 spacer plates
3/4" surface mounted strike.

"BOLT STRIKE" 4801



WORKS WITH THE SECURE BOLT™
& SQUARE BOLT™ EXIT DEVICES.
3/4" surface mounted strike.

LATCHBOLT MONITORING



LATCH BOLT
MONITORING (LB)
CAN BE ADDED TO
ANY 4800 SERIES
ELECTRIC STRIKE

IR Optical Sensor.
Current consumption is: 12v: standby – 12.7ma activate 22.8ma
24v: standby – 19.4ma – activate 34.4ma
Add "LB" to any 4800 Series strike to include Latchbolt Monitoring to the unit.
Example: 4800-32D becomes 4800LB-32D

All Models Contain:

- Built-in electronics automatically allows multiple Voltages – and provide with surge and kickback protection (except PoE and LCD, see front)
- Comes with Trines Patented 6-Pin Anchoring System for extra strength and stability.
- Stainless Steel Construction.
- Fail-safe/Fail-secure (field selectable).

4850 ELECTRICAL CHARACTERISTICS

VOLTAGE	PULL IN/HOLDING CURRENT/AMPS	DUTY	SOUND
12VDC	0.500/0.178	Intm./Cont.	Silent
16VDC	0.385/0.131	Intm./Cont.	Silent
24VDC	0.255/0.084	Intm./Cont.	Silent

UNIT WILL AUTOMATICALLY WORK WITH 11V THROUGH 30V DC (DC ONLY)
see front for PoE and LCD electrical info.

4800 AND 4801 ELECTRICAL CHARACTERISTICS

VOLTAGE	PULL IN/HOLD AMPS	DUTY	SOUND
12DC	.566/.217	Intm./Cont.	Silent
24DC	.253/.099	Intm./Cont.	Silent
12AC	.509/.181	Intm./Cont.	Silent
16AC	.402/.149	Intm./Cont.	Silent
24AC	.215/.087	Intm./Cont	Silent

UNIT WILL AUTOMATICALLY WORK WITH 11V THROUGH 30V AC OR DC

All 4800 Series strike are Available in 6 Finishes: (add finish to end of model)

- 32D (Satin Stainless Steel – BHMA630)
- US3 (Bright Brass – BHMA605)
- US4 (Satin Brass – BHMA606)
- US10 (Satin Bronze – BHMA612)
- US10B (Dark Bronze – BHMA640)
- 32 (Polished Stainless Steel – BHMA629)