



650 Series Keyswitches

Overview

Schlage 650 Series Keyswitches utilize an innovative magnetic spring design which allows installers to configure both clockwise and counterclockwise key turn direction as well as momentary or maintained action in seconds. Single gang and narrow stiles are available with numerous options which include: Heavy Duty Plate, Weather Resistant Cover (single gang size only), 2 LED lights – green/red, Anti-Tamper Switch and Schlage Everest Cylinder. In addition to the standard (626) Satin Chrome finish, there are five additional architectural finishes to choose from.

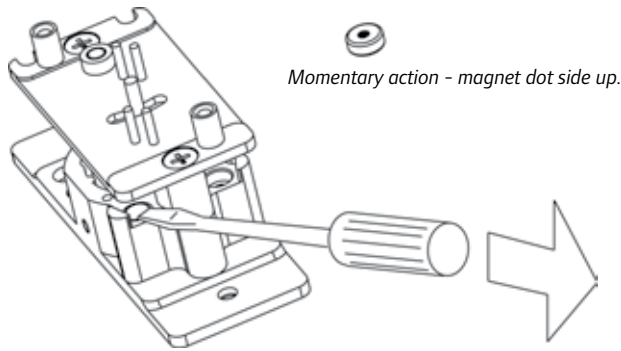


Features and Benefits

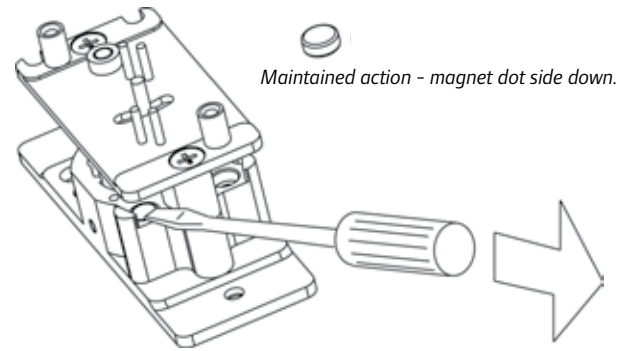
- Easy to install and maintain
- Single gang and narrow stile offer ultimate flexibility
- Multiple options

Innovative magnetic spring technology allows installers to configure models in seconds

MOMENTARY ACTION



MAINTAINED ACTION



Specifications

Standard keyswitch

- 5 amp@250 VAC,
- dual voltage,
- SPDT contacts

ATS switch closes when cover is on 0.025A@28VDC

LED Indicator Lights operate at 12/24 VDC 0.025A@28VDC

ORDERING INFORMATION

653-04	SPDT maintained single direction
653-05	SPDT momentary single direction
653-14	DPDT maintained single direction
653-15	DPDT momentary single direction
653-1414	(2) DPDT maintained bi-direction
653-1415	DPDT maintained x DPDT momentary
653-1515	(2) DPDT momentary bi-direction
653-041	SPDT maintained x key remove one position
653-0404	(2) SPDT maintained bi-direction
653-0405	SPDT maintained x SPDT momentary
653-141	DPDT maintained x key remove one position
653-0505	(2) SPDT momentary bi-direction

OPTIONS

L2	2 LEDs green and red, dual voltage
NS	Narrow Stile - stainless steel plate (1 3/4" x 4 1/2")
ATS	Anti-Tamper Switch
HDP	Heavy Duty Plate 1/4" thick cast zinc (standard 626 Satin Chrome Finish with anti tamper plugs)
WP	Weather Resistant Cover fits 1 1/8" cylinder only (not available with NS and L2 Options)
CYL	1-1/4" Schlage Everest® Mortise Cylinder & 1/8" spacer ring (keyed different)
CYL-KA	1-1/4" Schlage Everest Mortise Cylinder & 1/8" spacer ring (keyed alike)

Note: 650 Series Keyswitches operate with either a 1-1/8" or 1-1/4" cylinder having a straight type cam. 1-1/4" cylinders require a 1/8" blocking/spacer ring (included with the CYL and CYL-KA options).

FINISH

SF-626	Satin Chrome (standard)
SF-605	Bright Brass
SF-612	Satin Bronze
SF-613	Oil Satin Bronze
SF-625	Bright Chrome
SF-2	Black Powder Coat

